



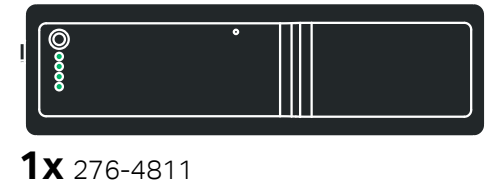
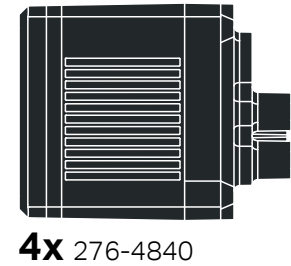
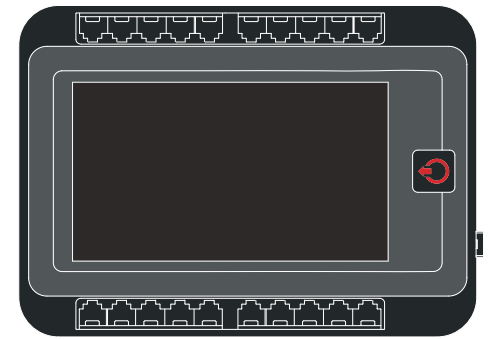
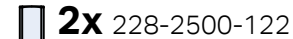
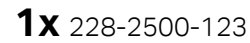
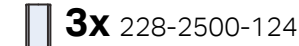
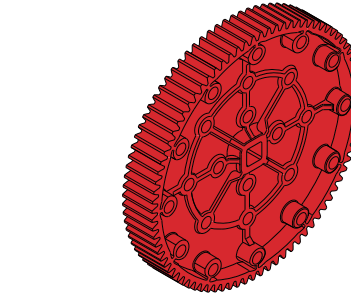
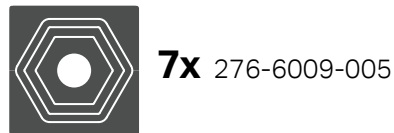
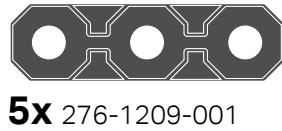
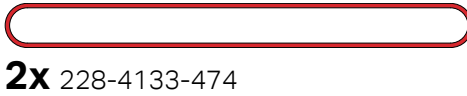
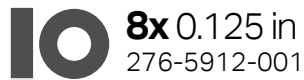
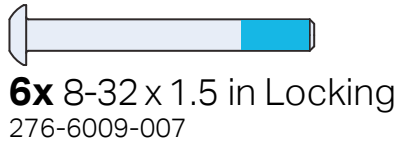
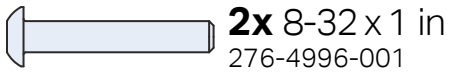
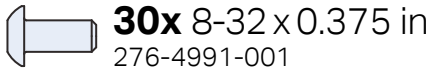
# Clawbot Build Instructions

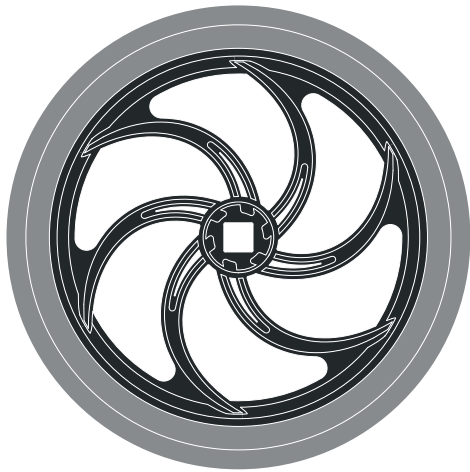


276-6009-750

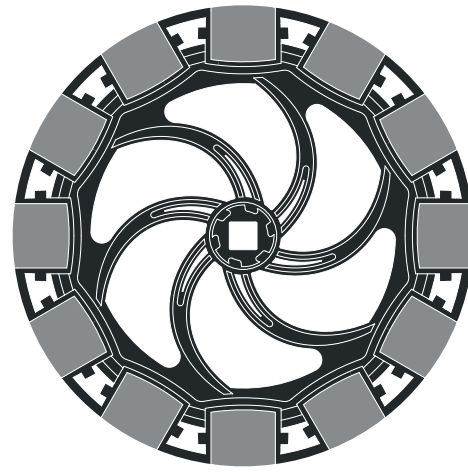
# Parts List

All V5 Control System, gears, wheels, wires, and structure are not to scale  
All other parts listed are 1:1 scale

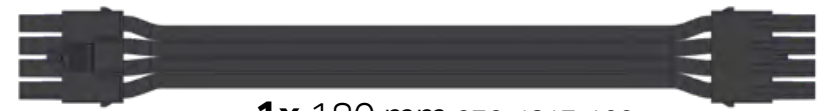




**2x** 276-6299-000



**2x** 276-6298-000



**1x** 180 mm 276-4817-100



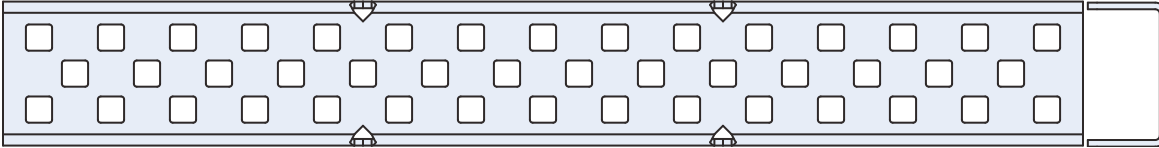
**3x** 300 mm 276-4860-020



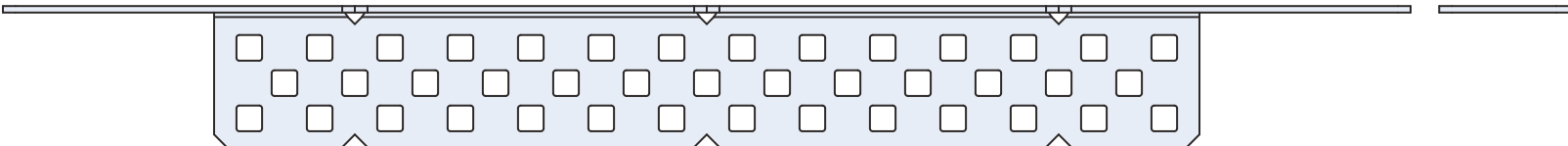
**1x** 600 mm 276-4860-030



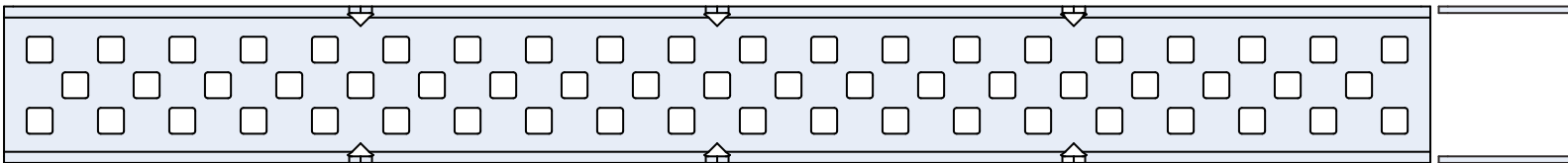
**1x** 900 mm 276-4861-010



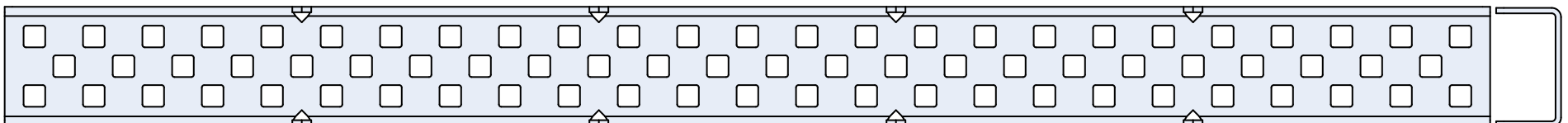
**2x** 276-2232-028



**2x** 276-6009-002



**3x** 276-6009-001



**2x** 276-2232-029



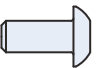
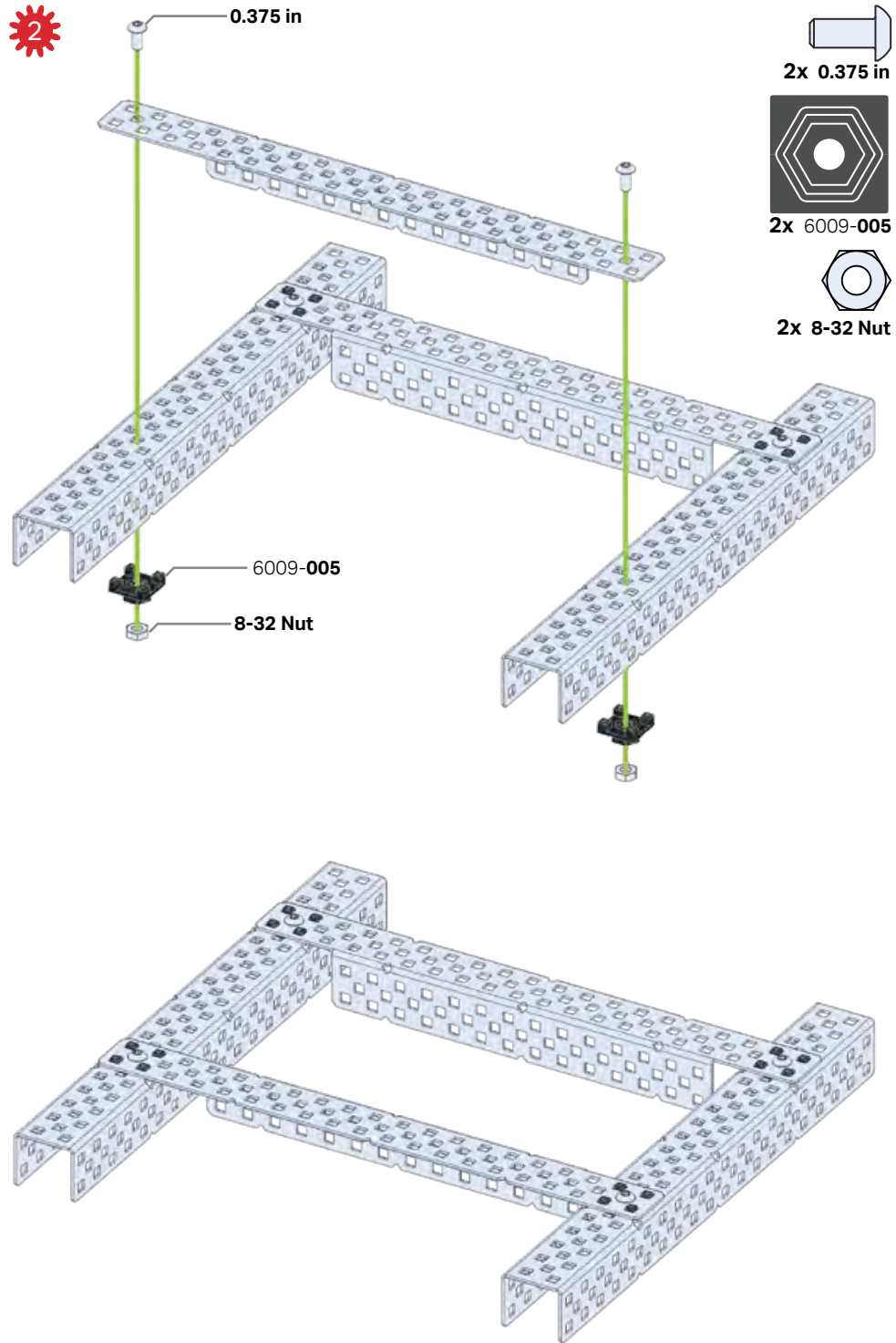
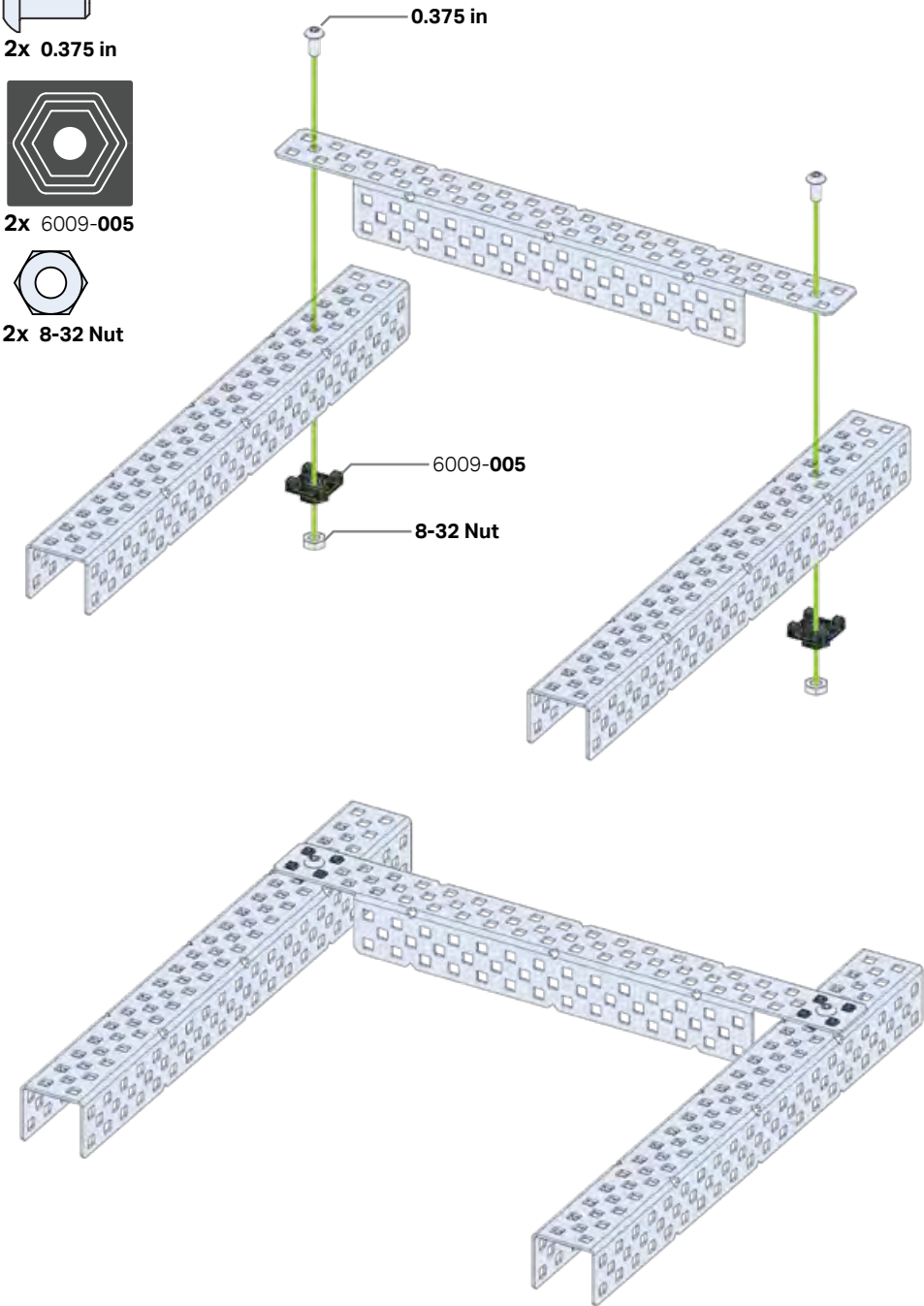
2x 0.375 in



2x 6009-005



2x 8-32 Nut



2x 0.375 in



2x 6009-005



2x 8-32 Nut

3



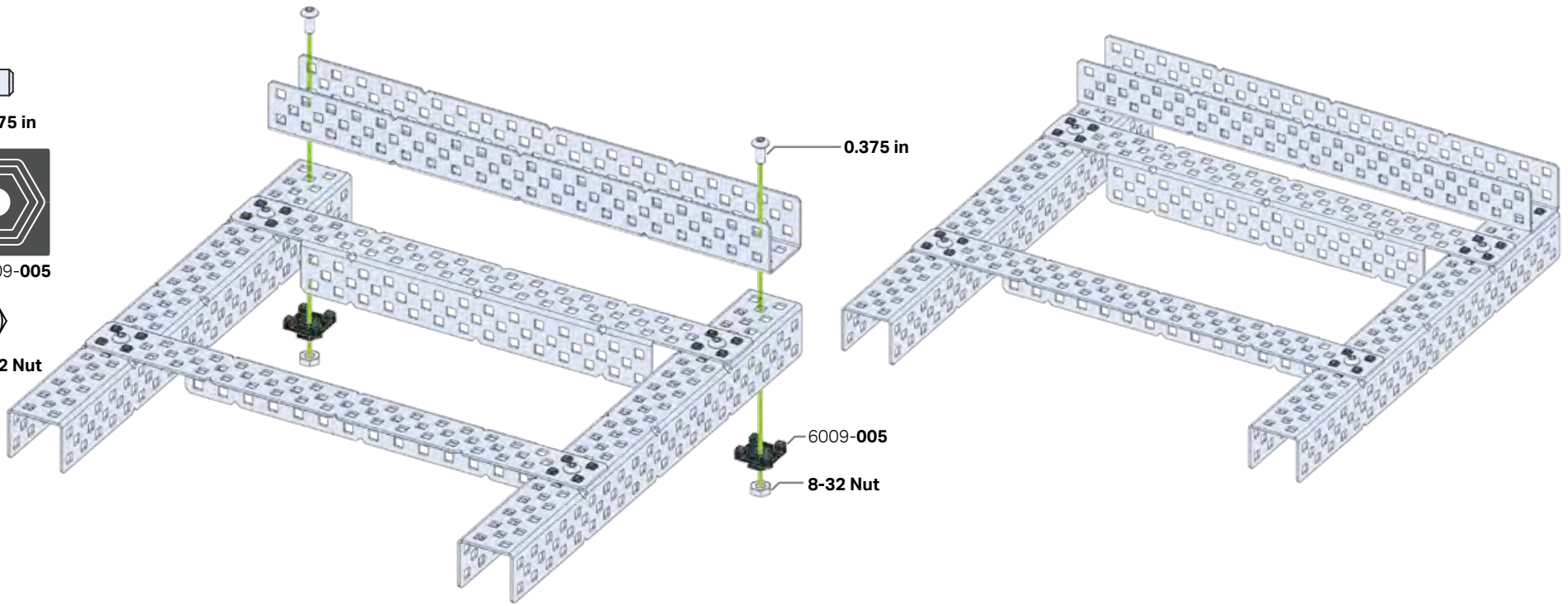
2x 0.375 in



2x 6009-005



2x 8-32 Nut



4

6009-003

8-32 Nut

0.375 in



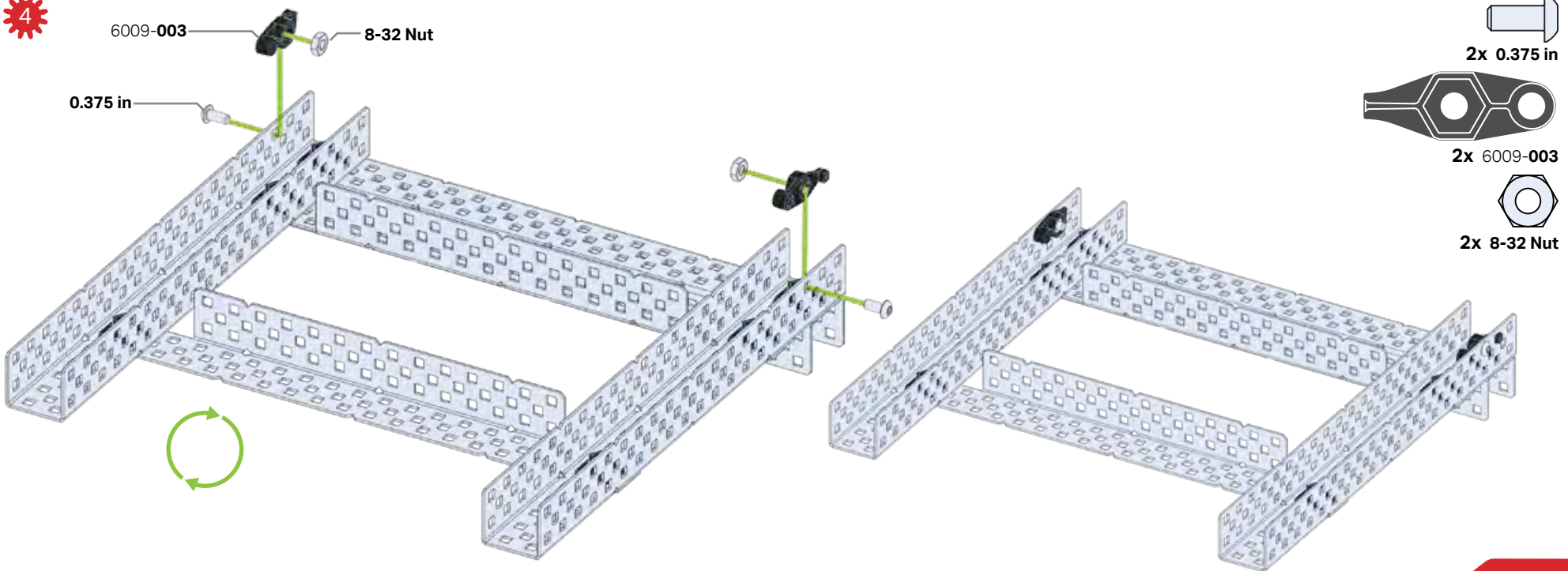
2x 0.375 in



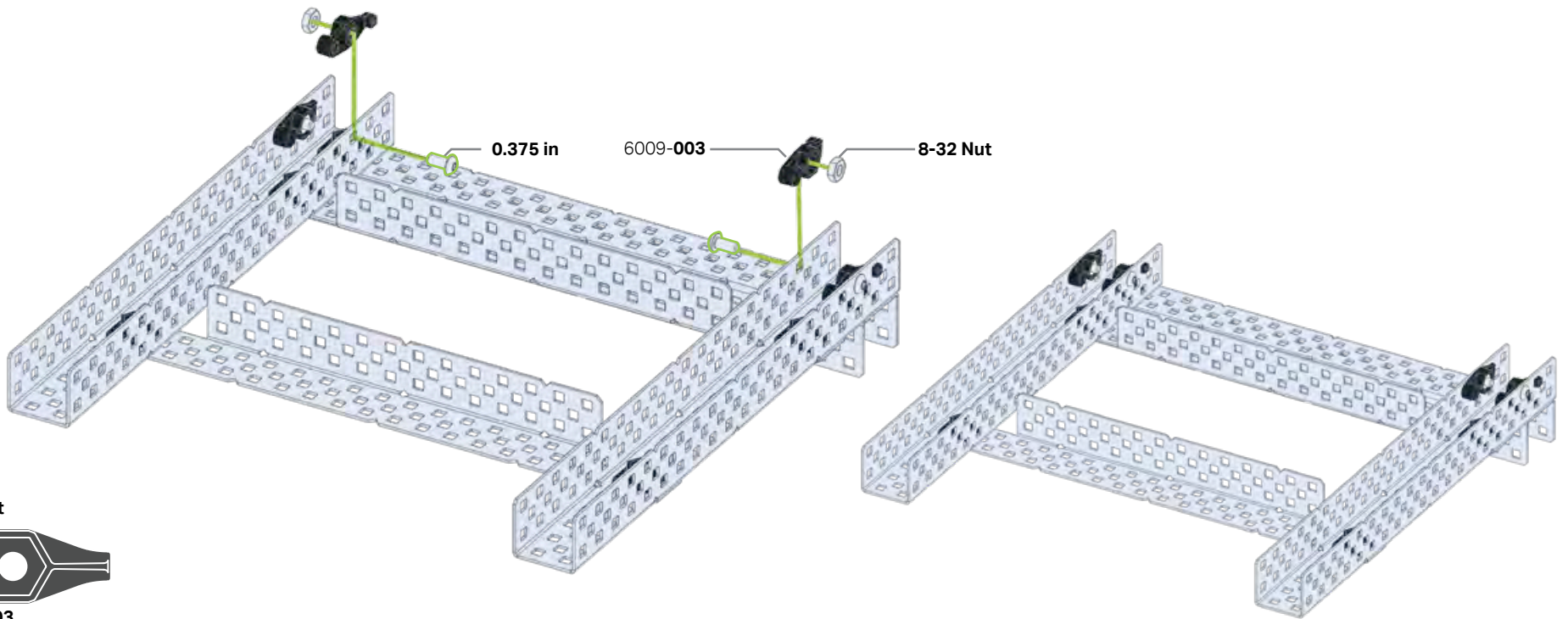
2x 6009-003



2x 8-32 Nut



5



2x 0.375 in



2x 8-32 Nut

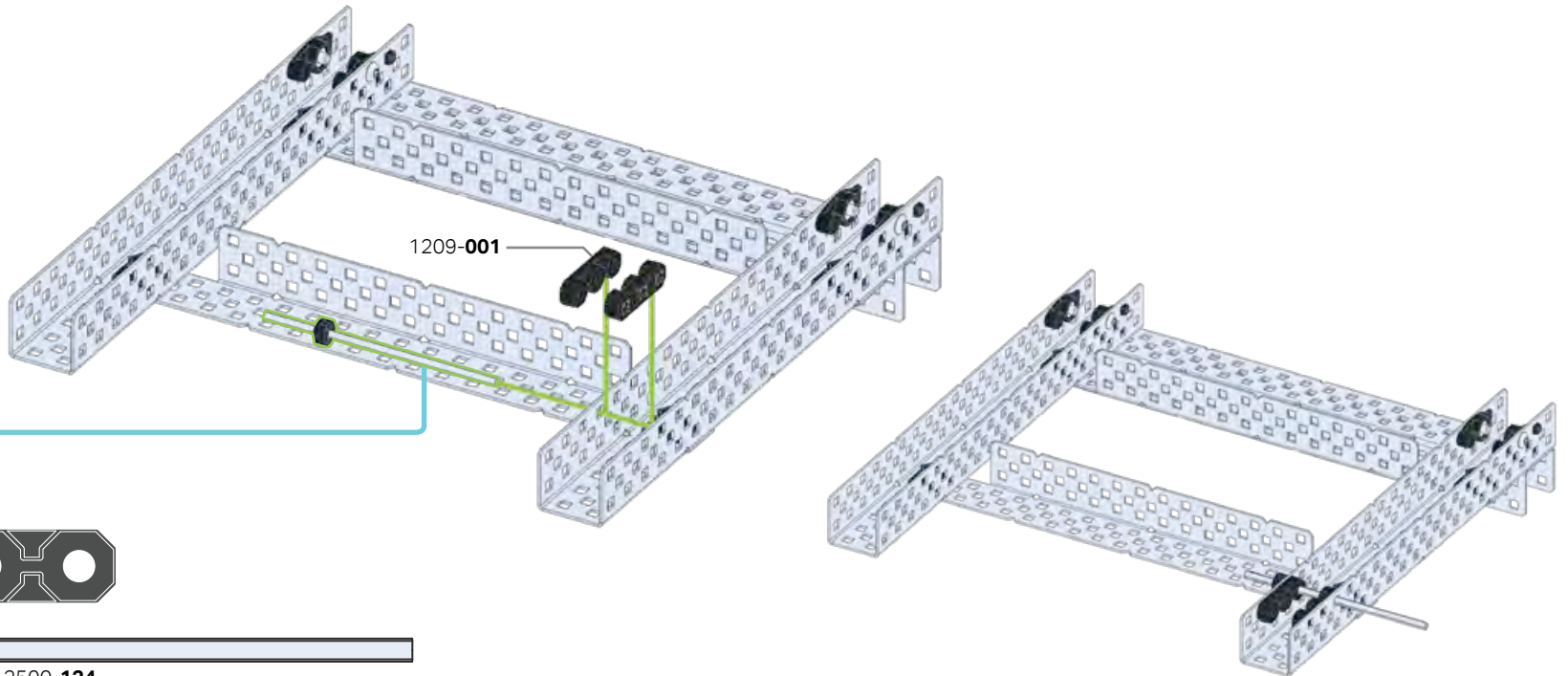


2x 6009-003

6

2X 2500-143

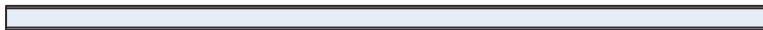
2500-124



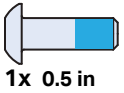
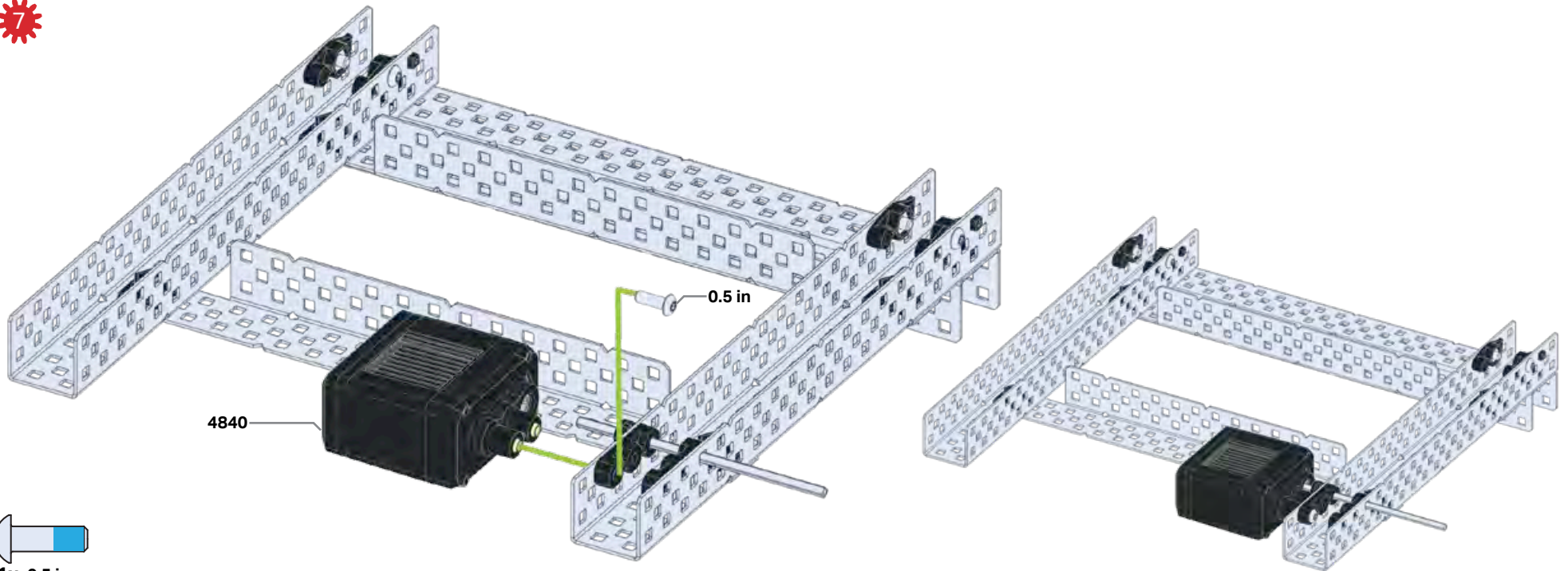
2x 2500-143



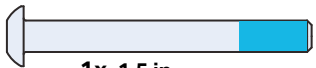
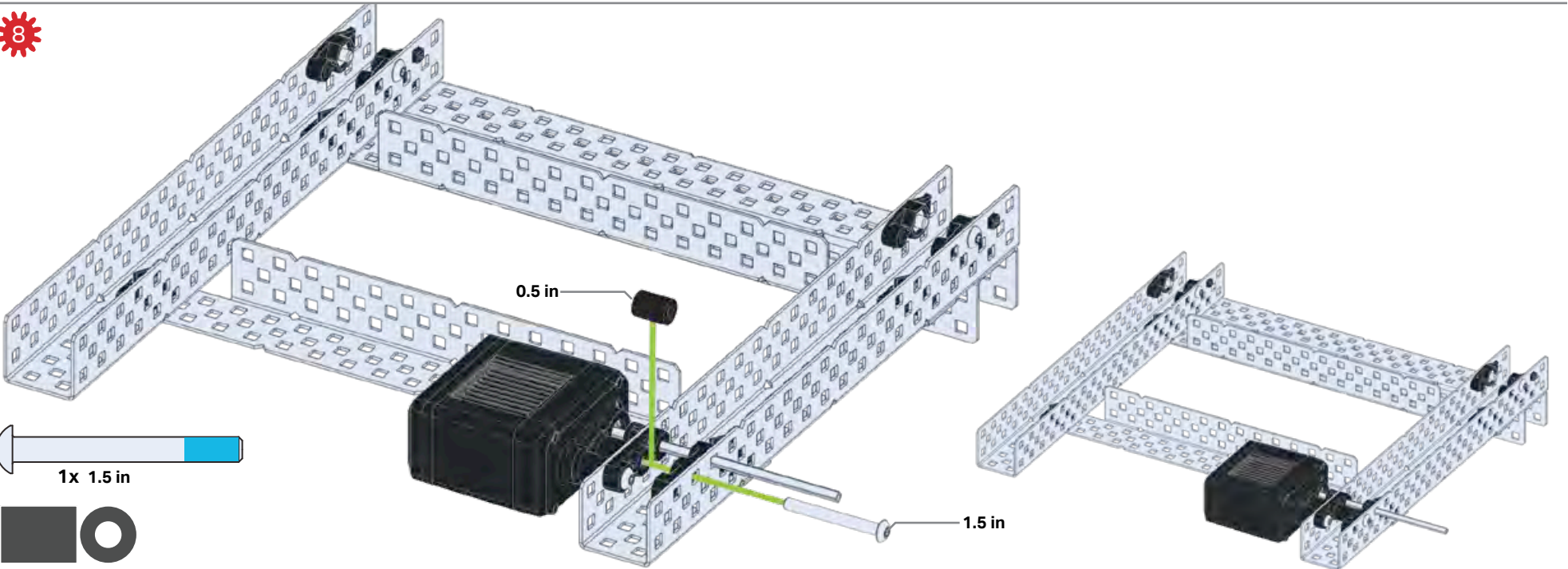
2x 1209-001



2x 2500-124



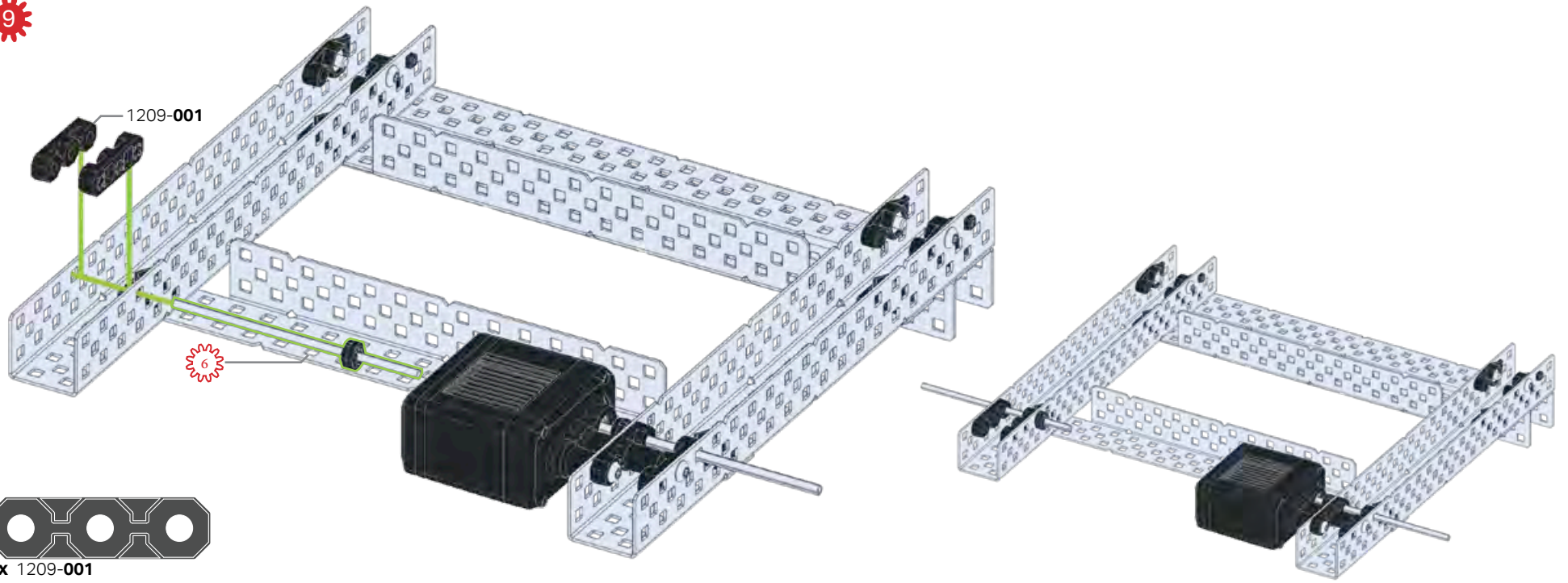
1x 0.5 in



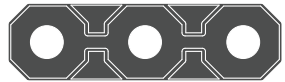
1x 1.5 in



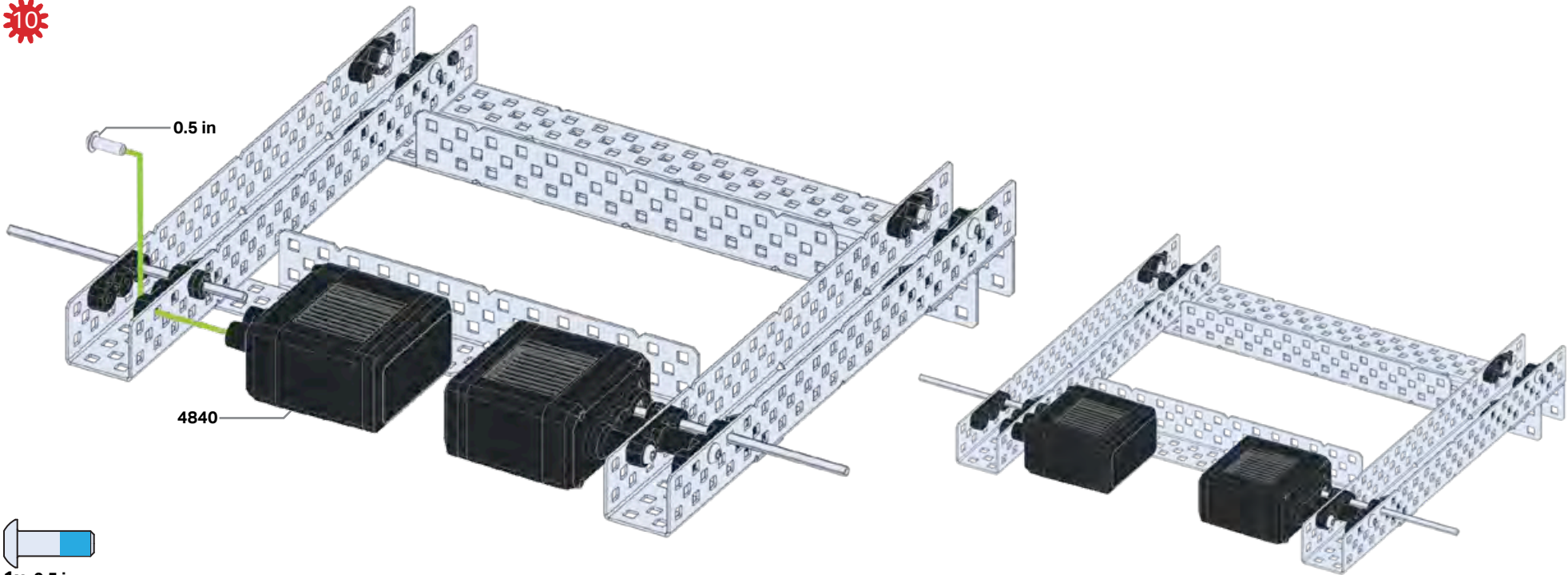
1x 0.5 in



1209-001



2x 1209-001



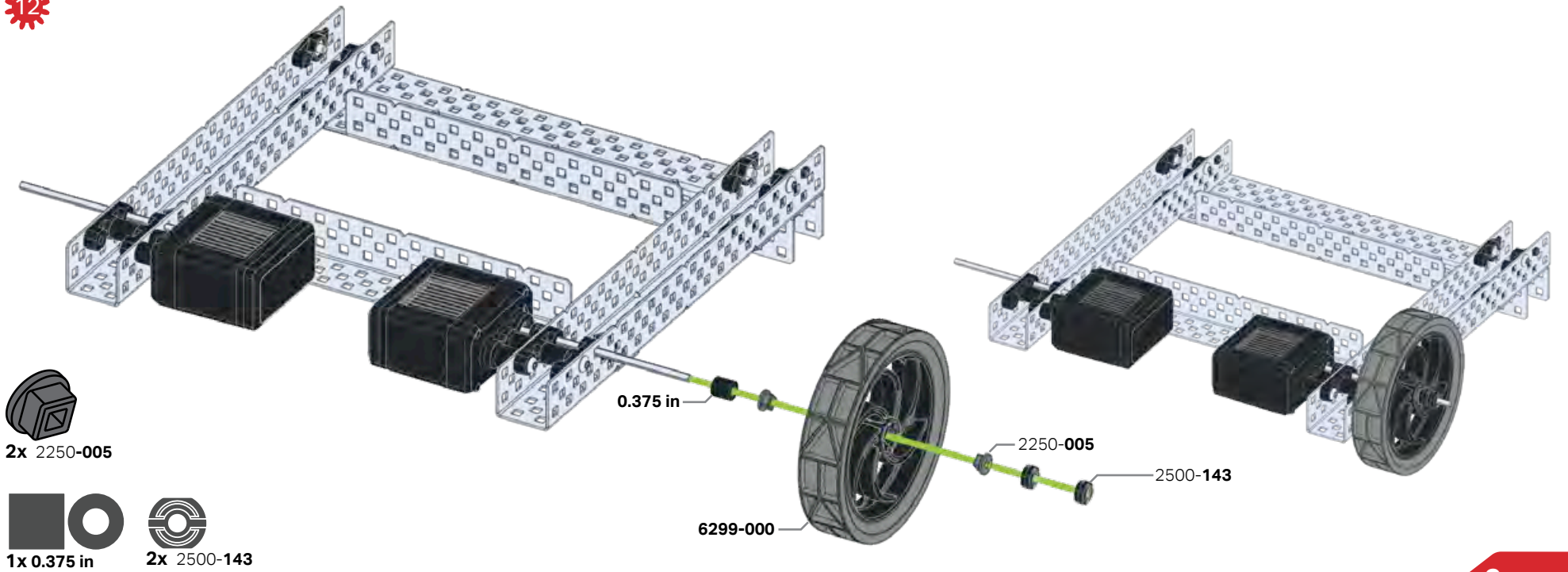
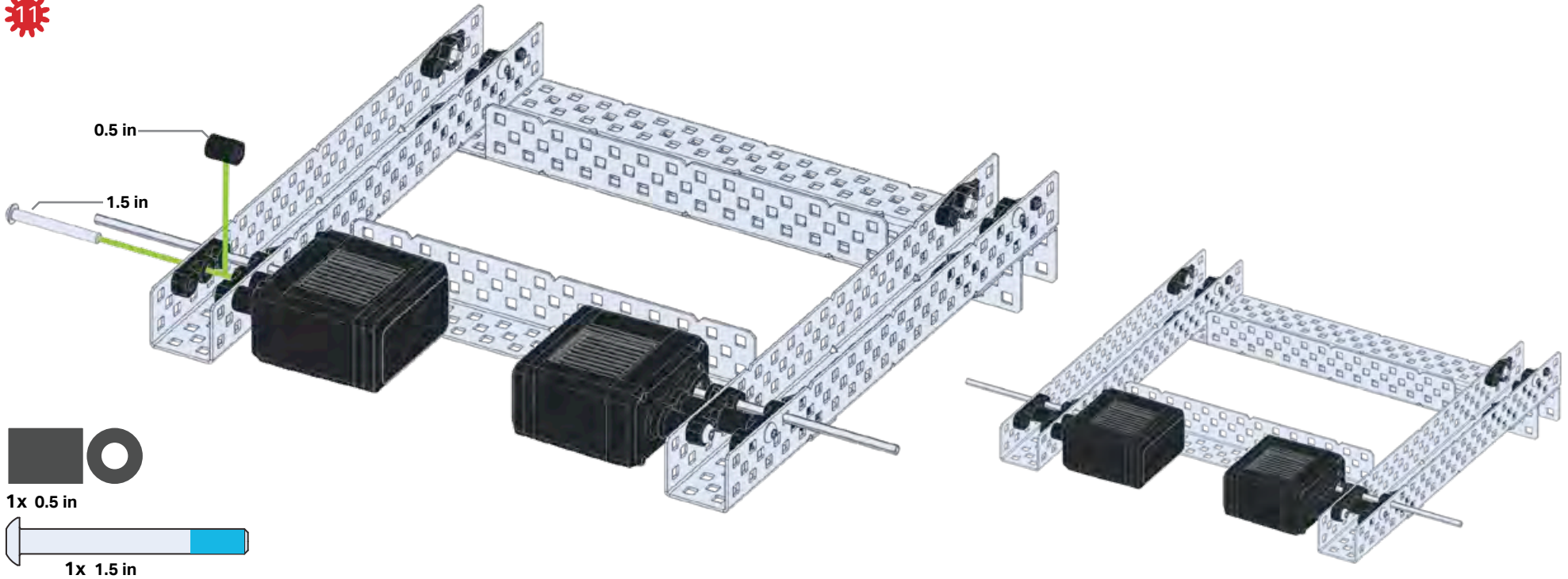
0.5 in

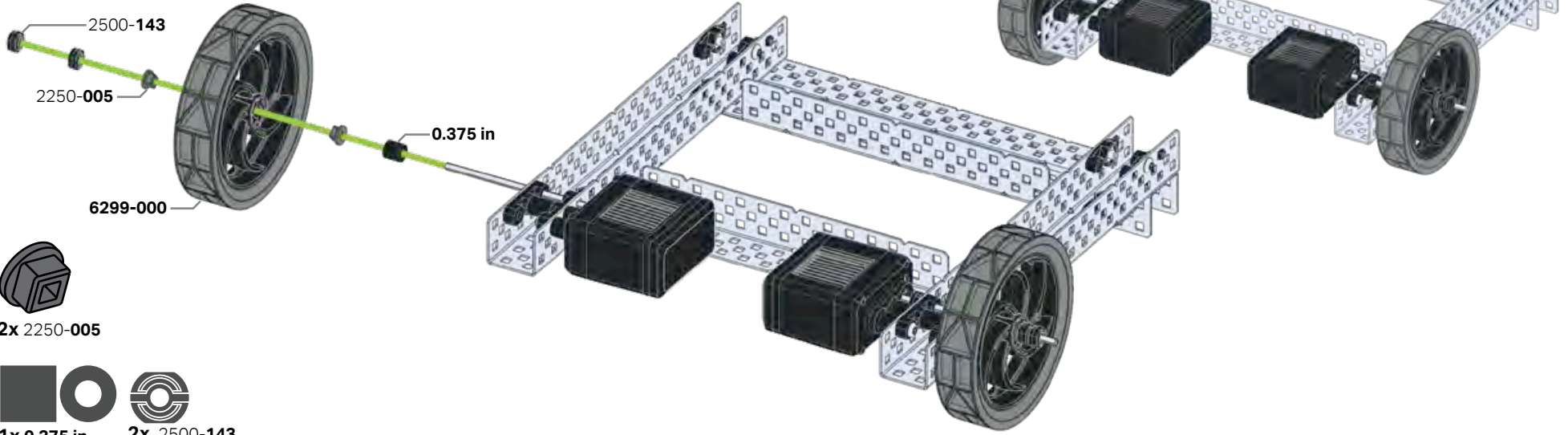
4840



1x 0.5 in



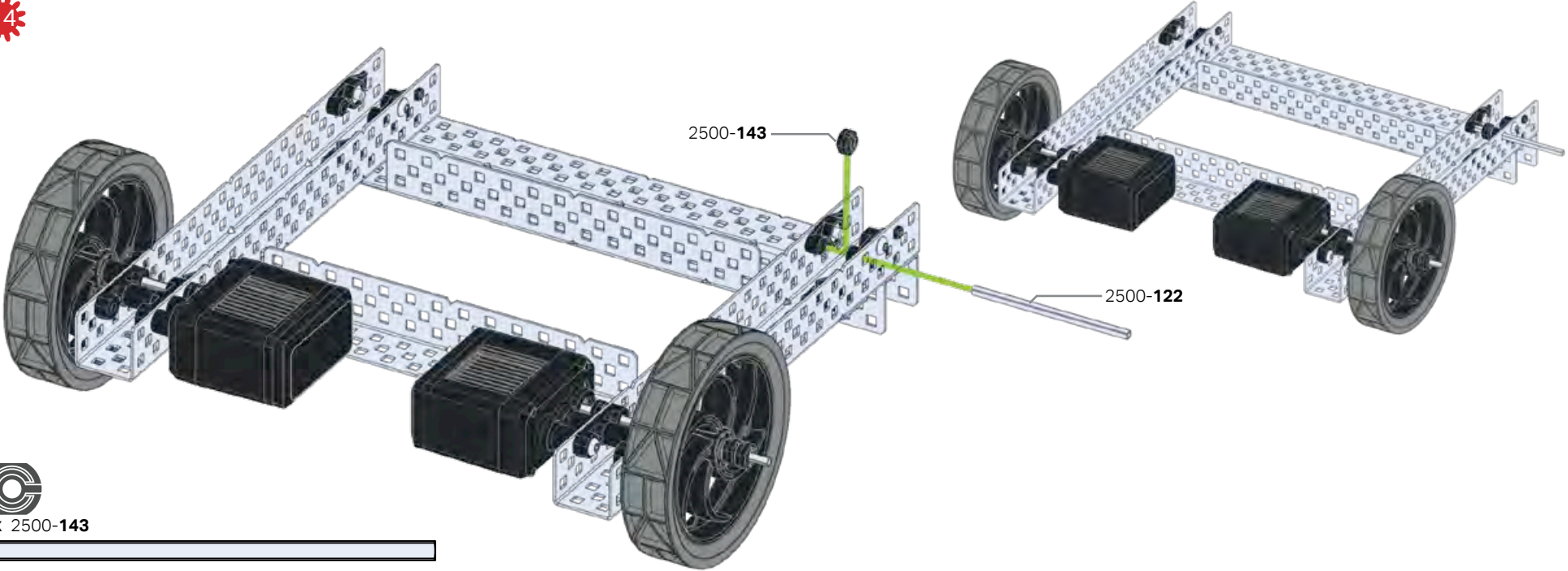




2x 2250-005



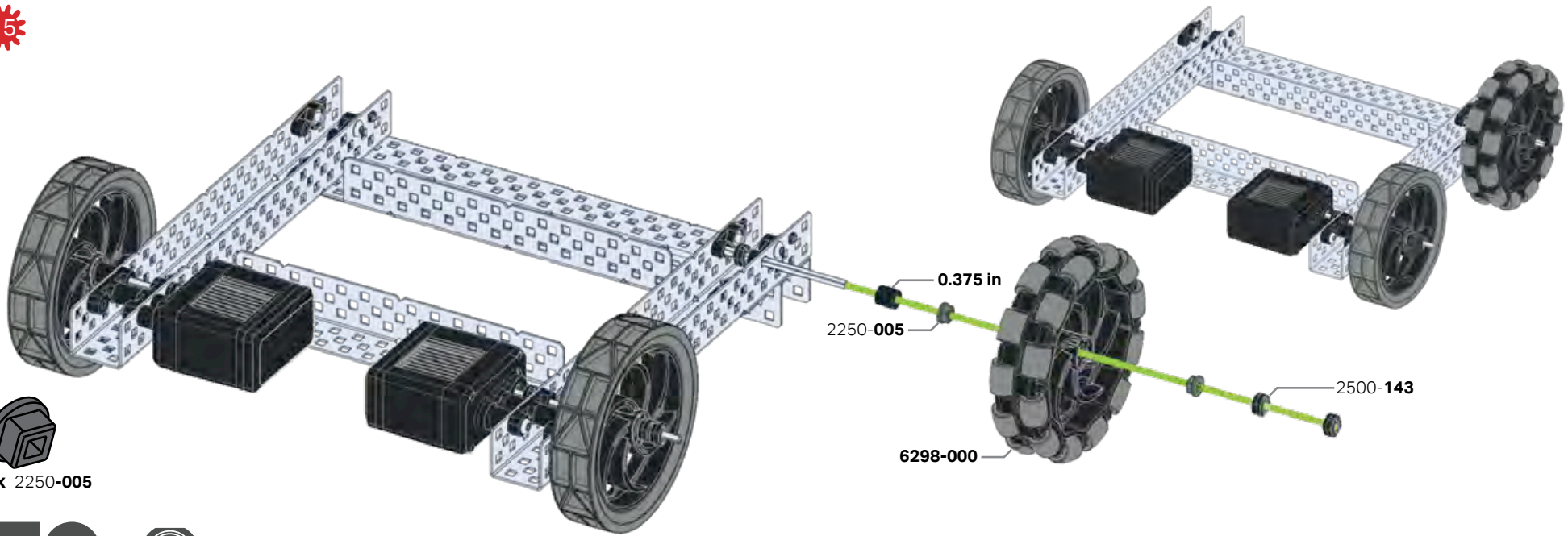
1x 0.375 in    2x 2500-143



1x 2500-143



1x 2500-122



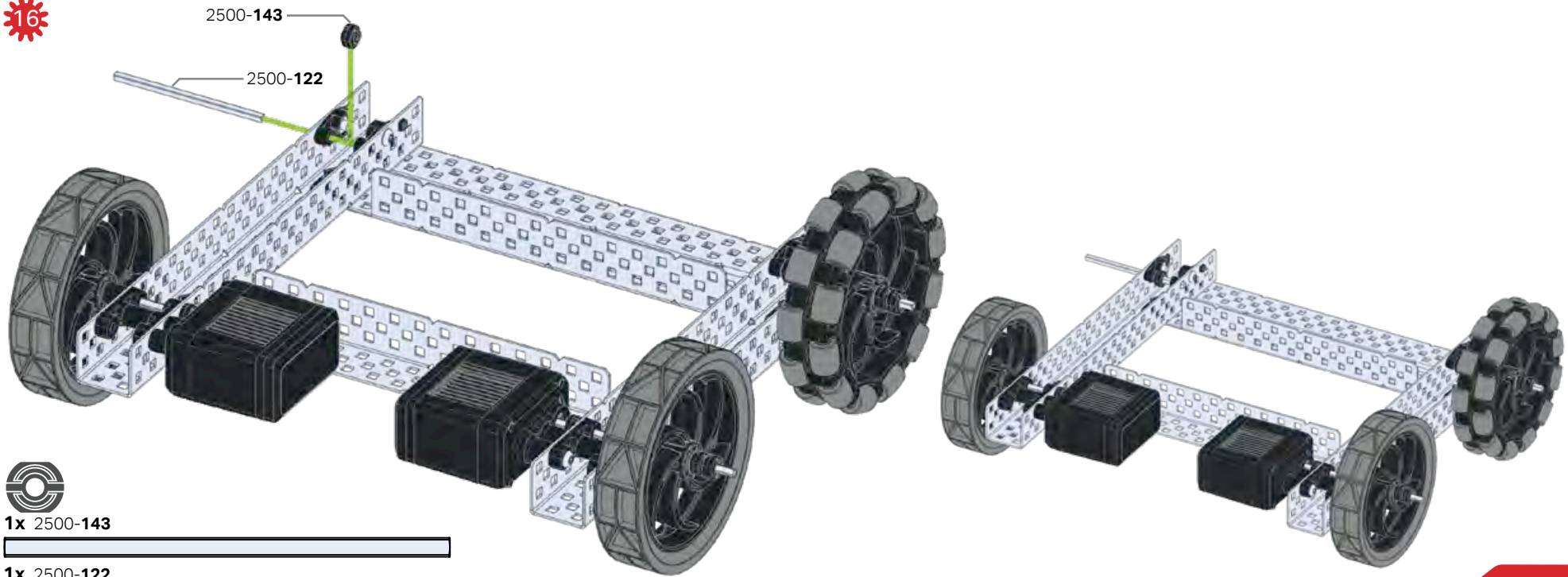
2x 2250-005



1x 0.375 in



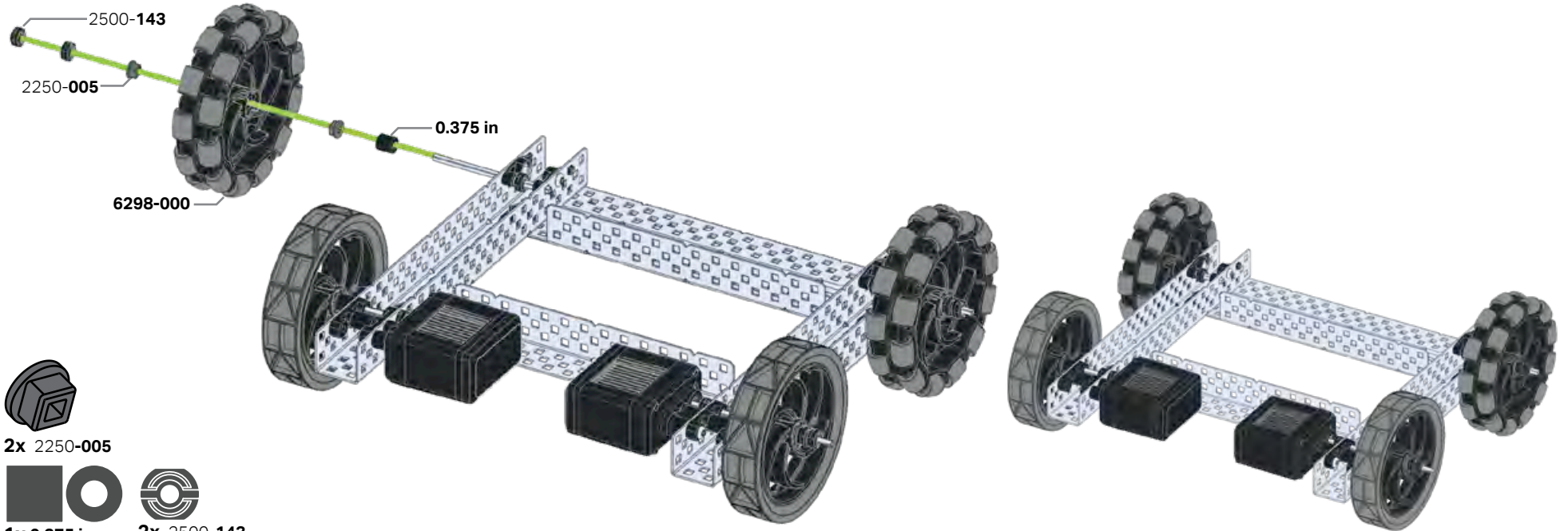
2x 2500-143



1x 2500-143



1x 2500-122



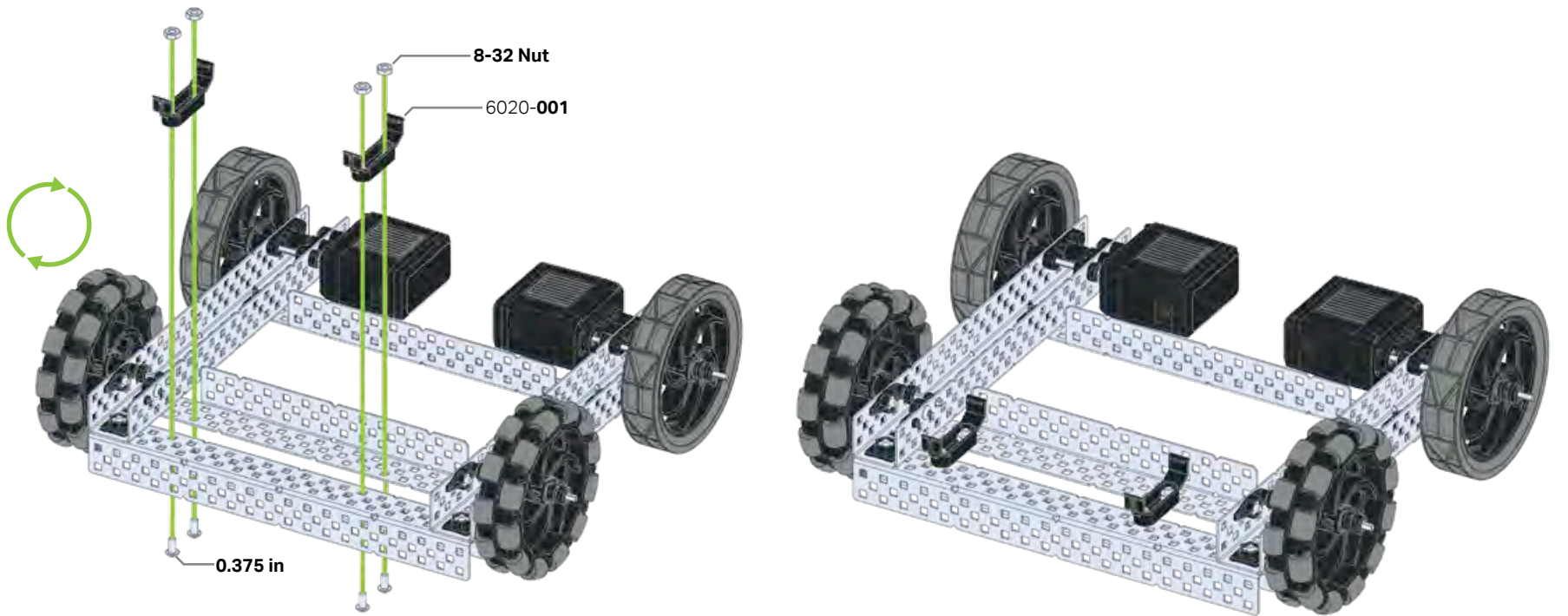
2x 2250-005



1x 0.375 in



2x 2500-143



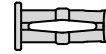
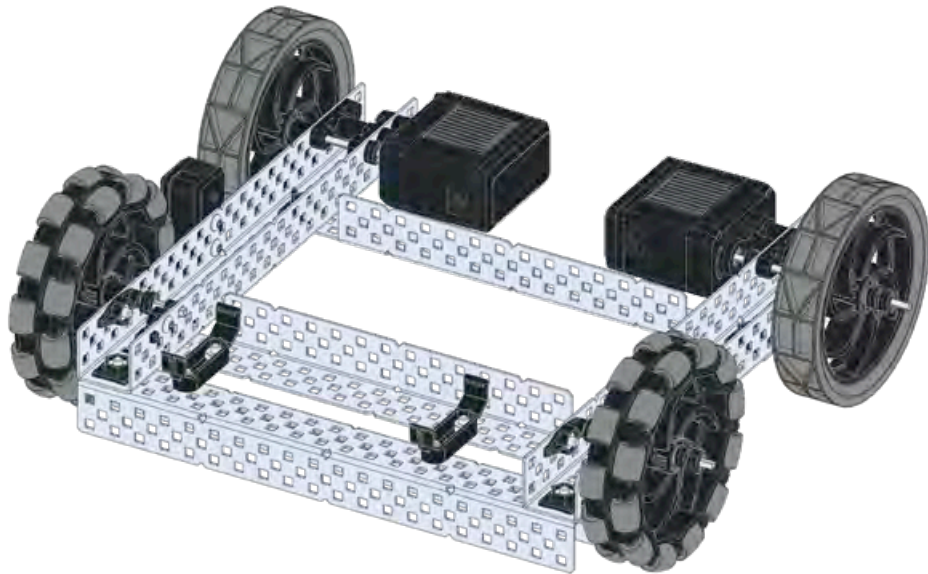
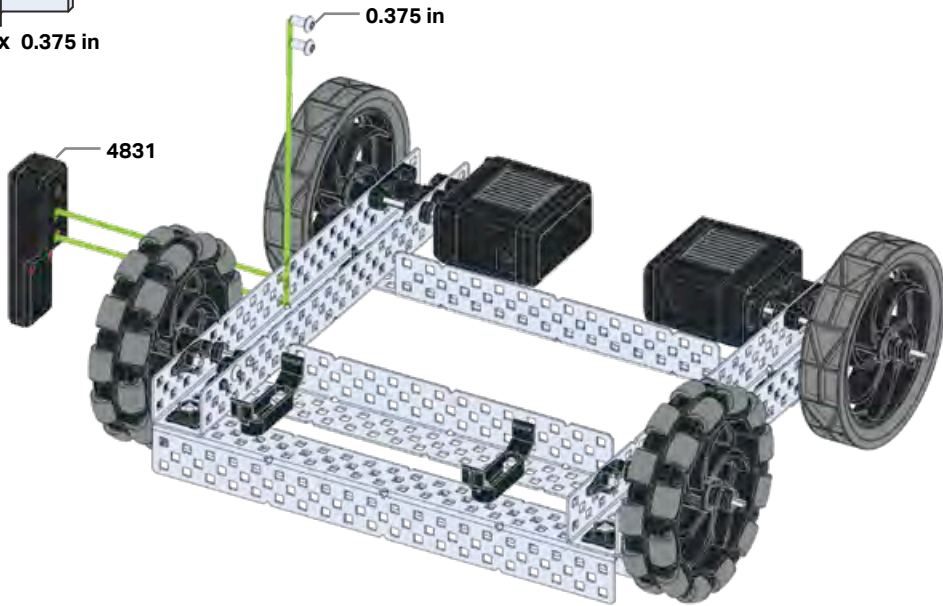
4x 0.375 in



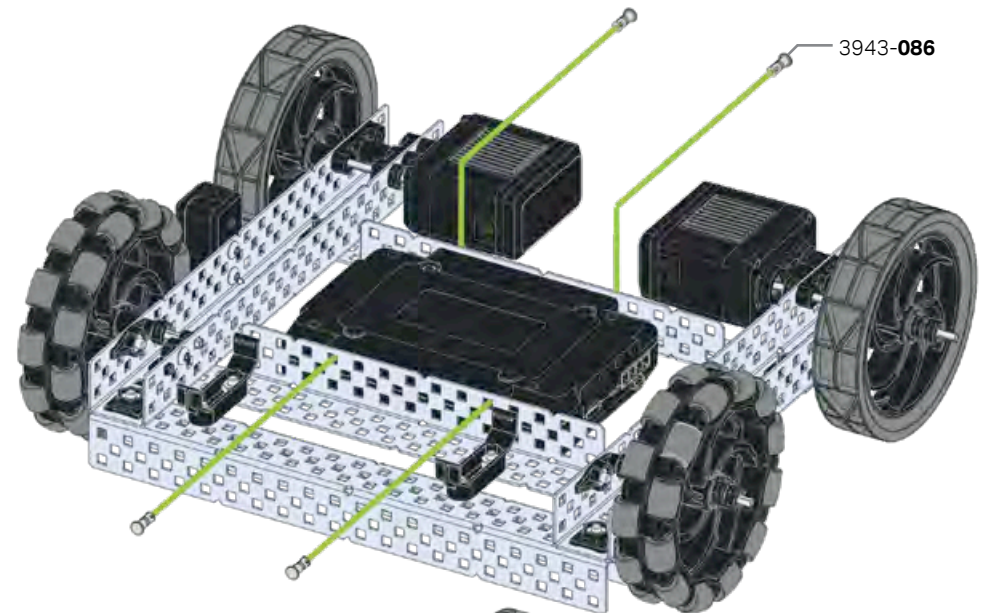
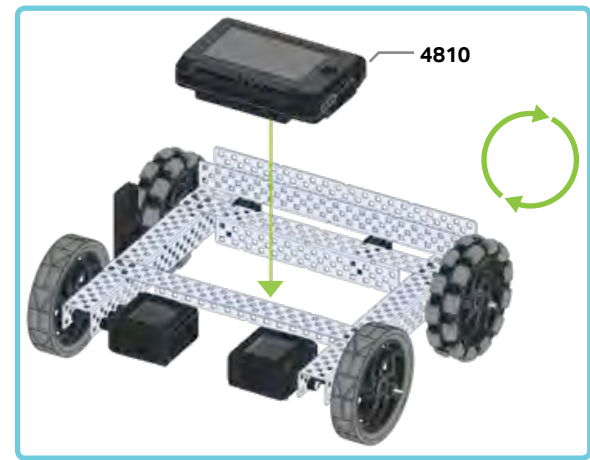
4x 8-32 Nut

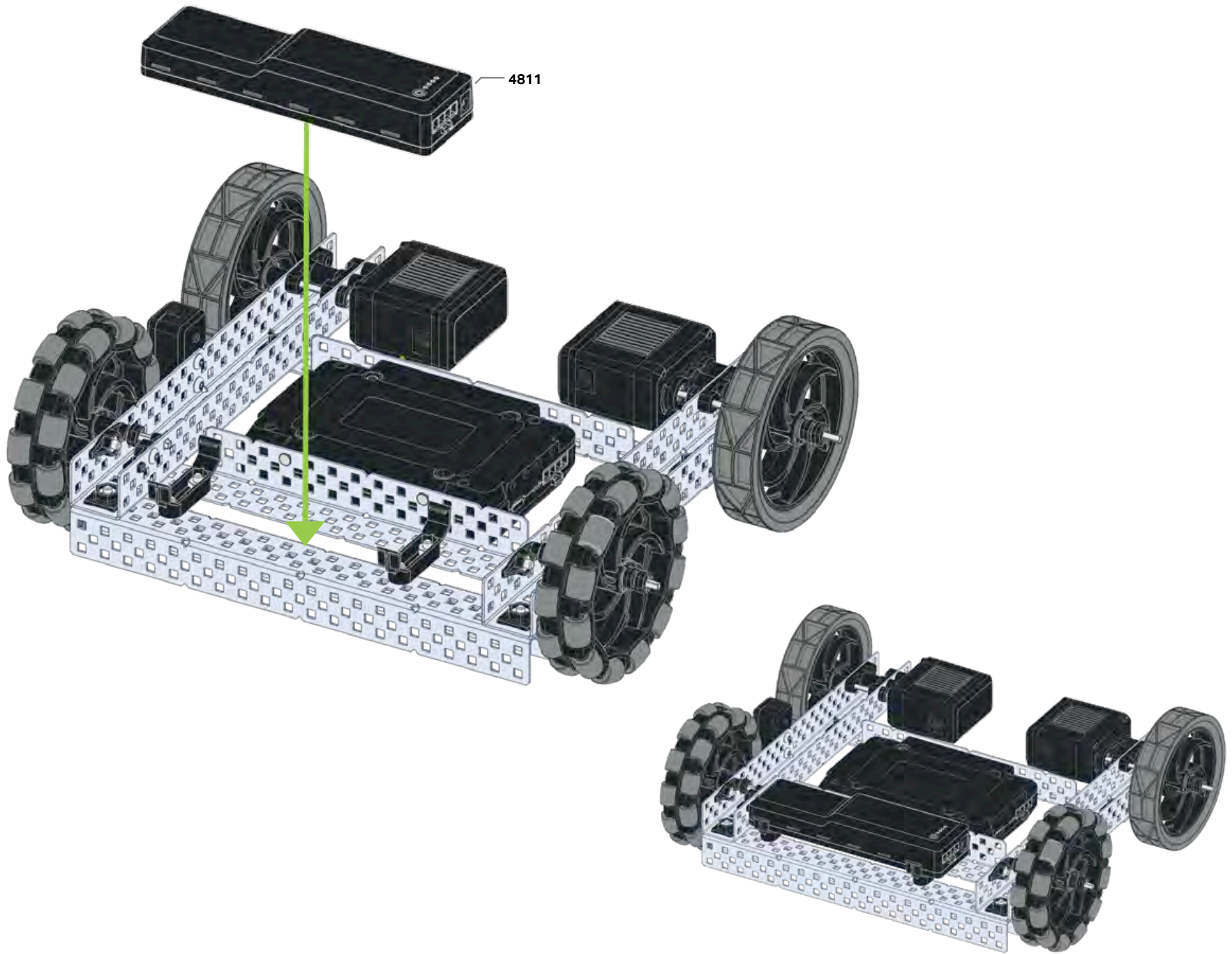


2x 0.375 in

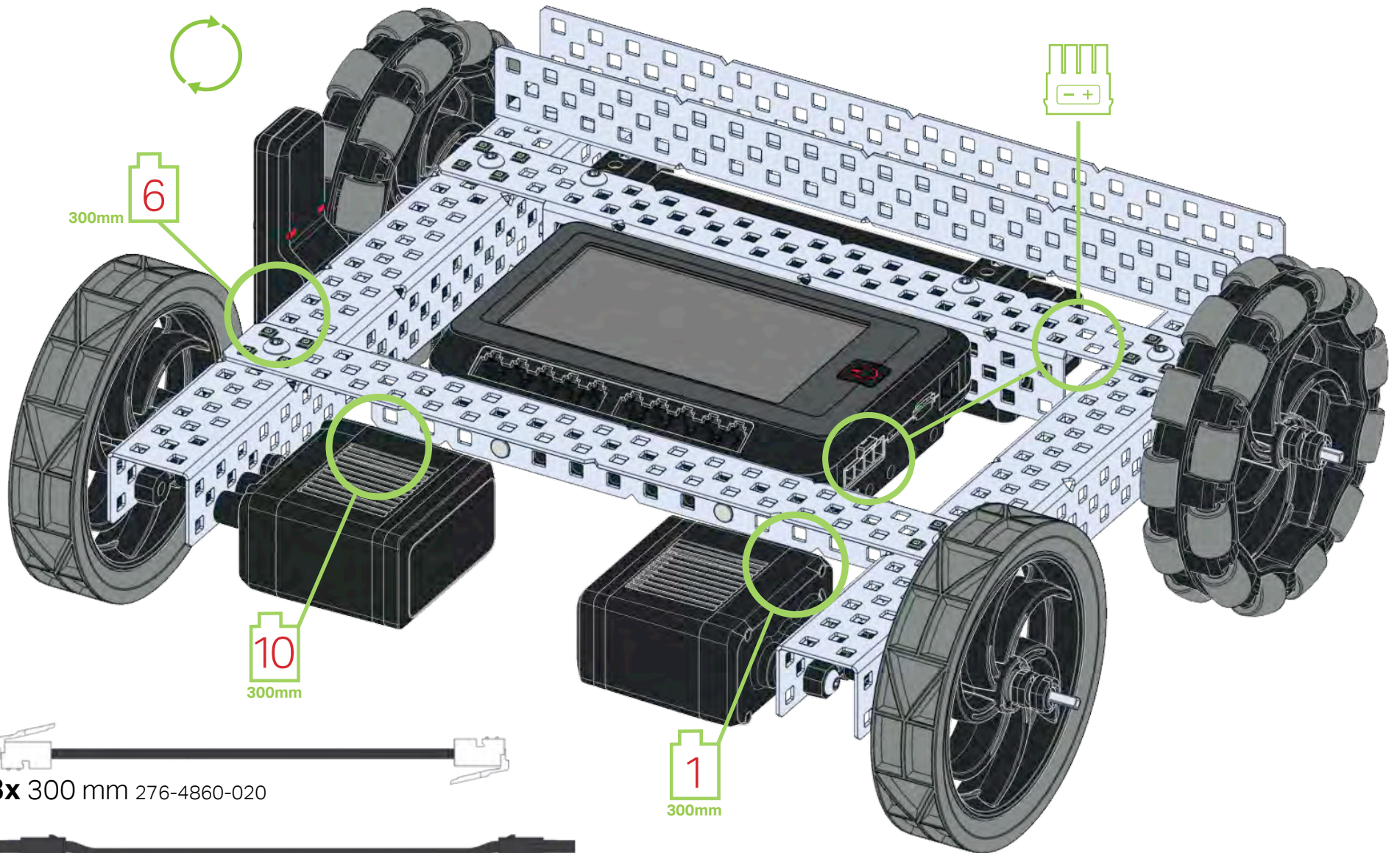


4x 3943-086





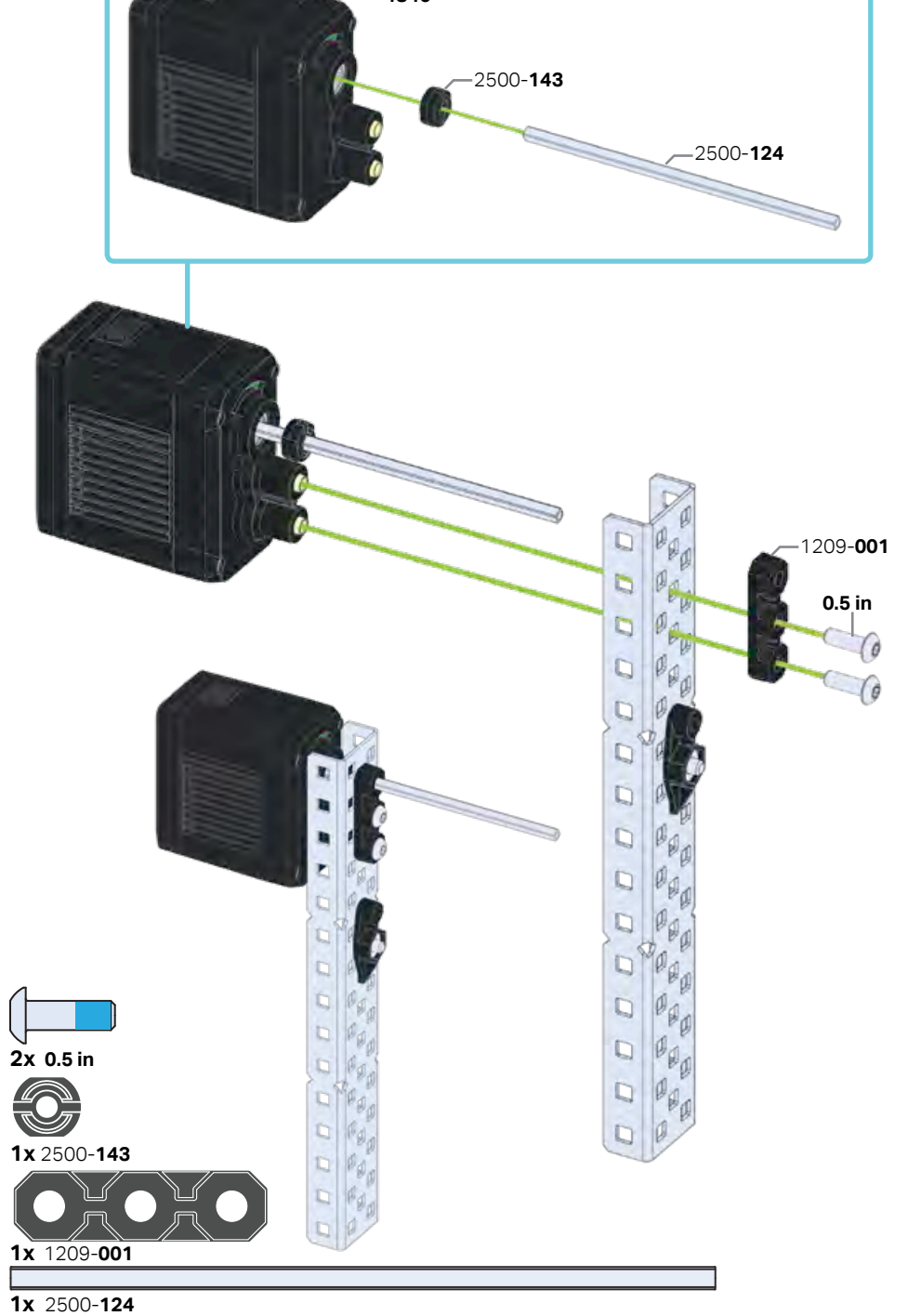
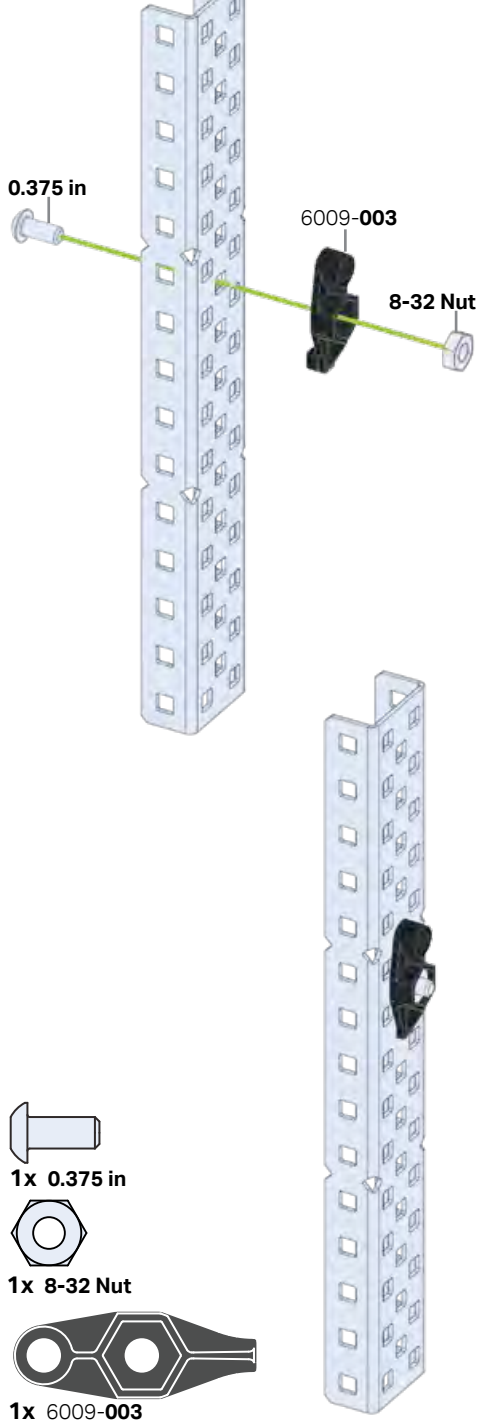
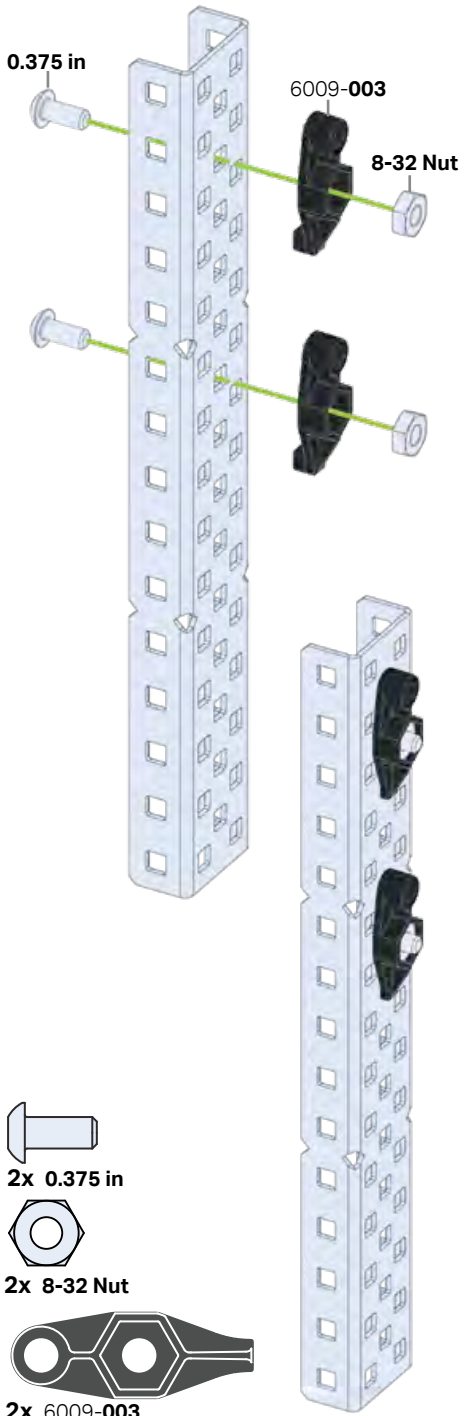
4811



3x 300 mm 276-4860-020

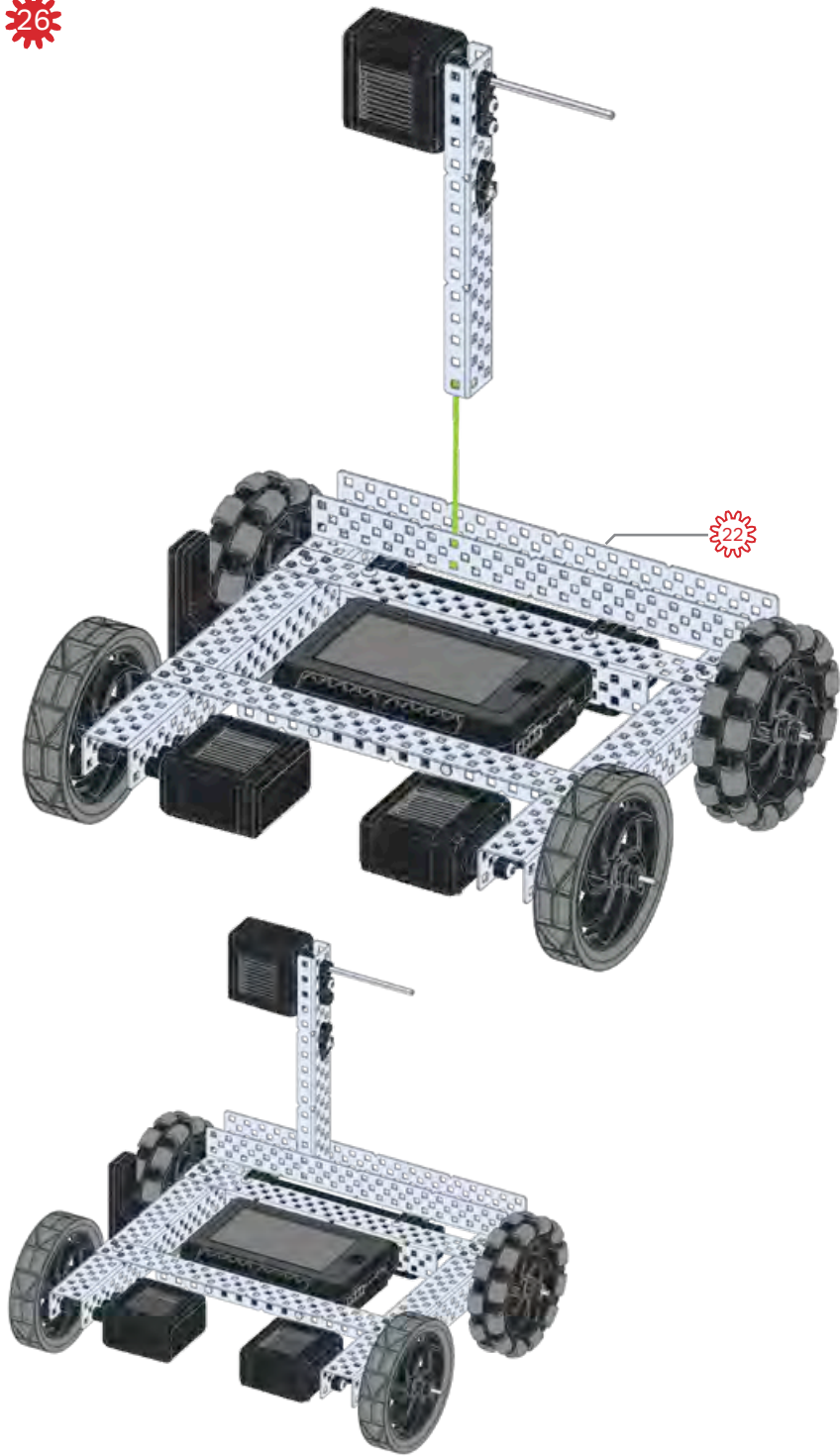


1x 180 mm 276-4817-100

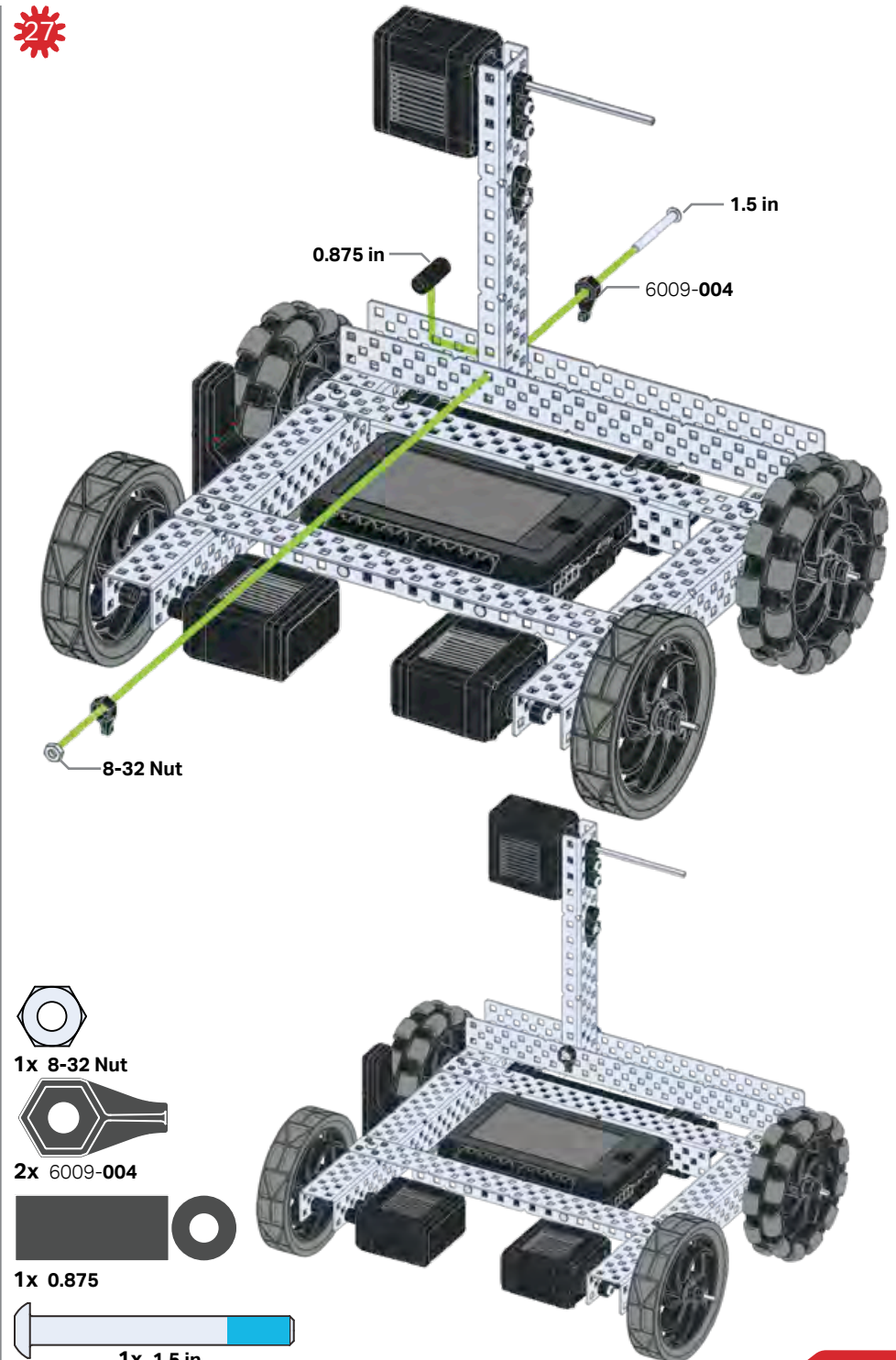





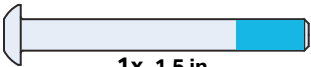


26

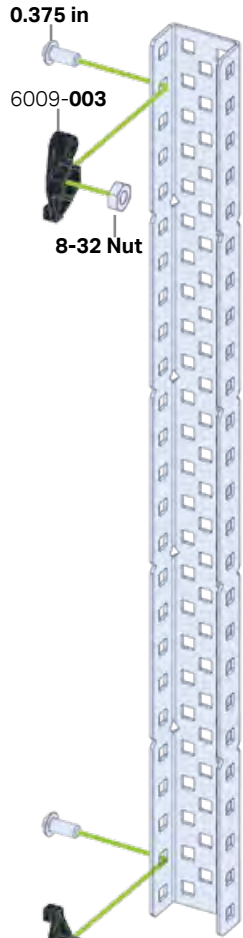





27



-  1x 8-32 Nut
-  2x 6009-004
-  1x 0.875
-  1x 1.5 in

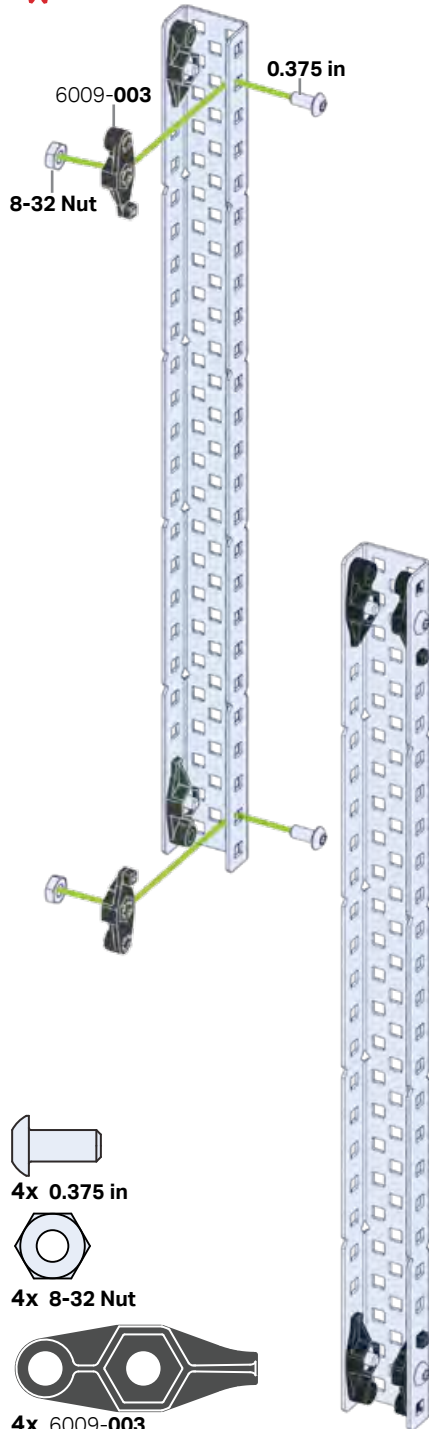
 2X






-  4x 0.375 in
-  4x 8-32 Nut
-  4x 6009-003

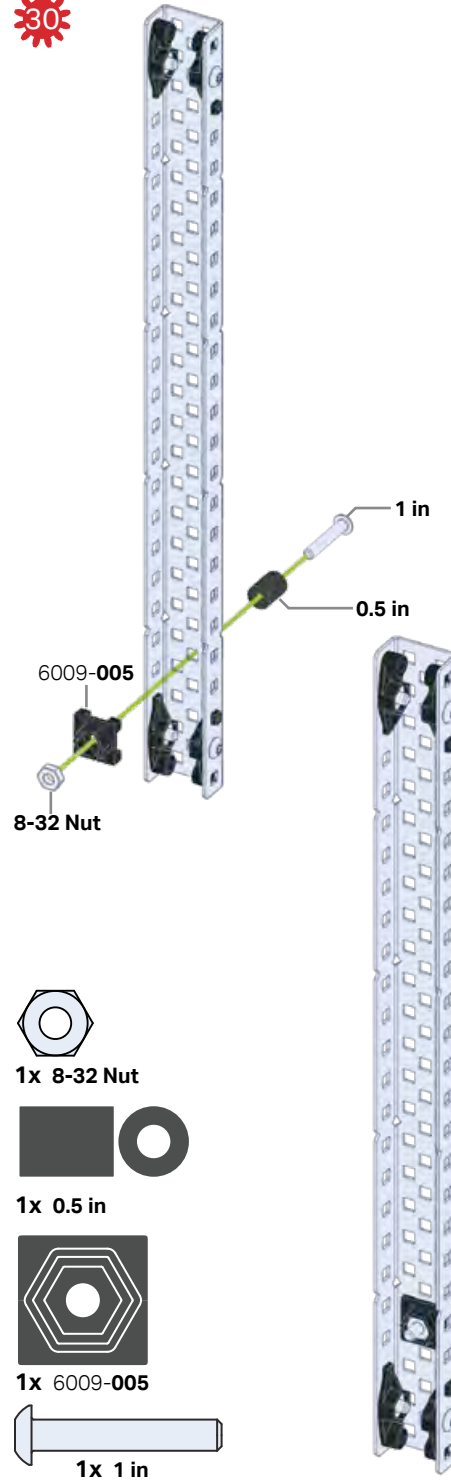






 2X



-  4x 0.375 in
-  4x 8-32 Nut
-  4x 6009-003

 30

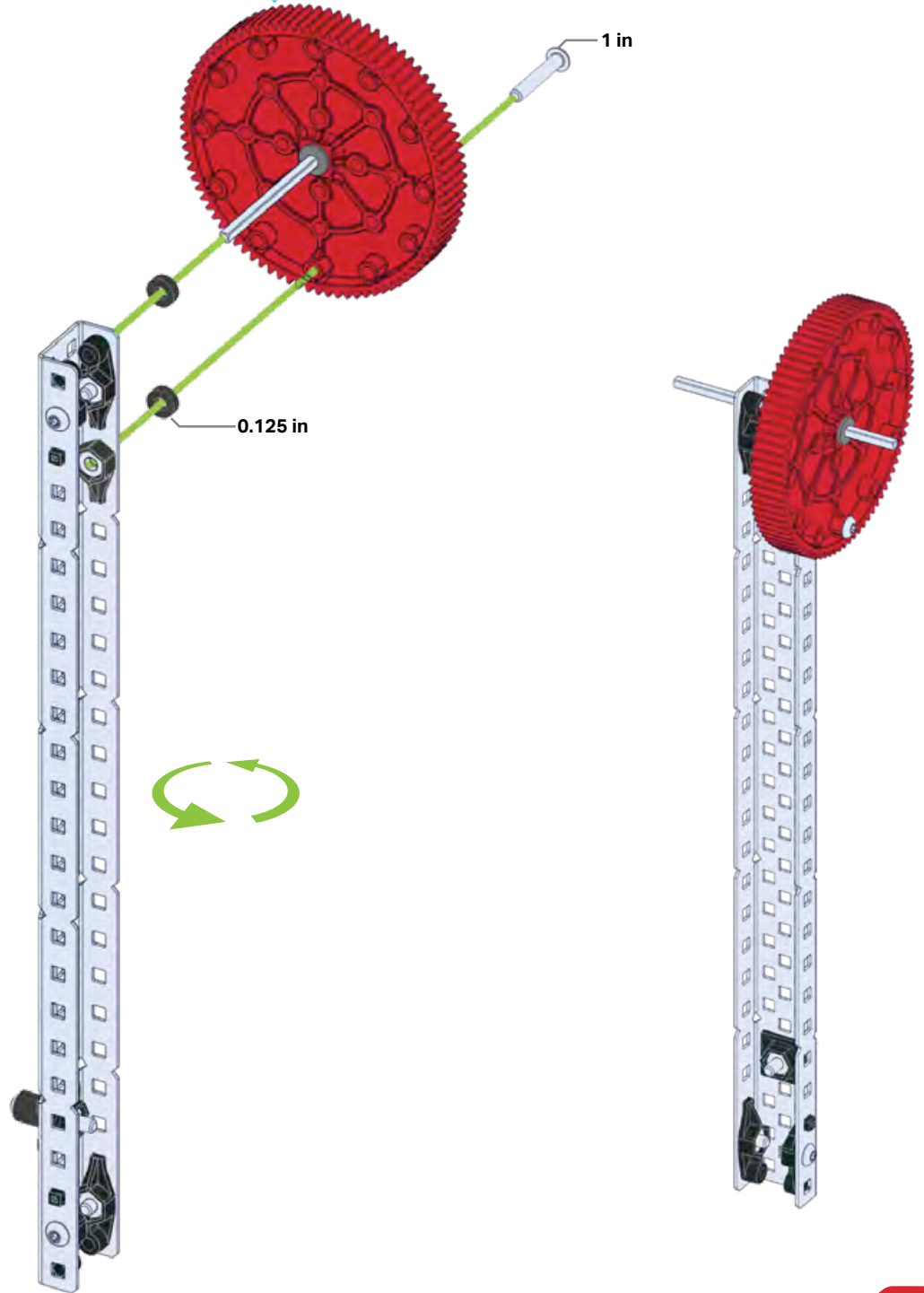
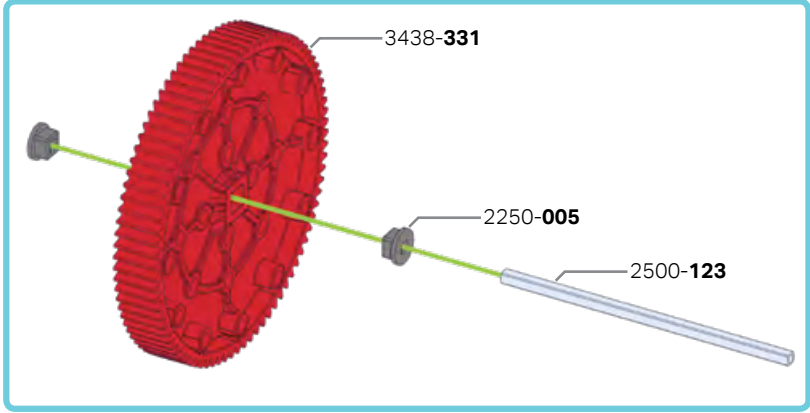


-  1x 8-32 Nut
-  1x 0.5 in
-  1x 6009-005
-  1x 1 in





-  1x 8-32 Nut
-  1x 6009-004



10

2x 0.125 in



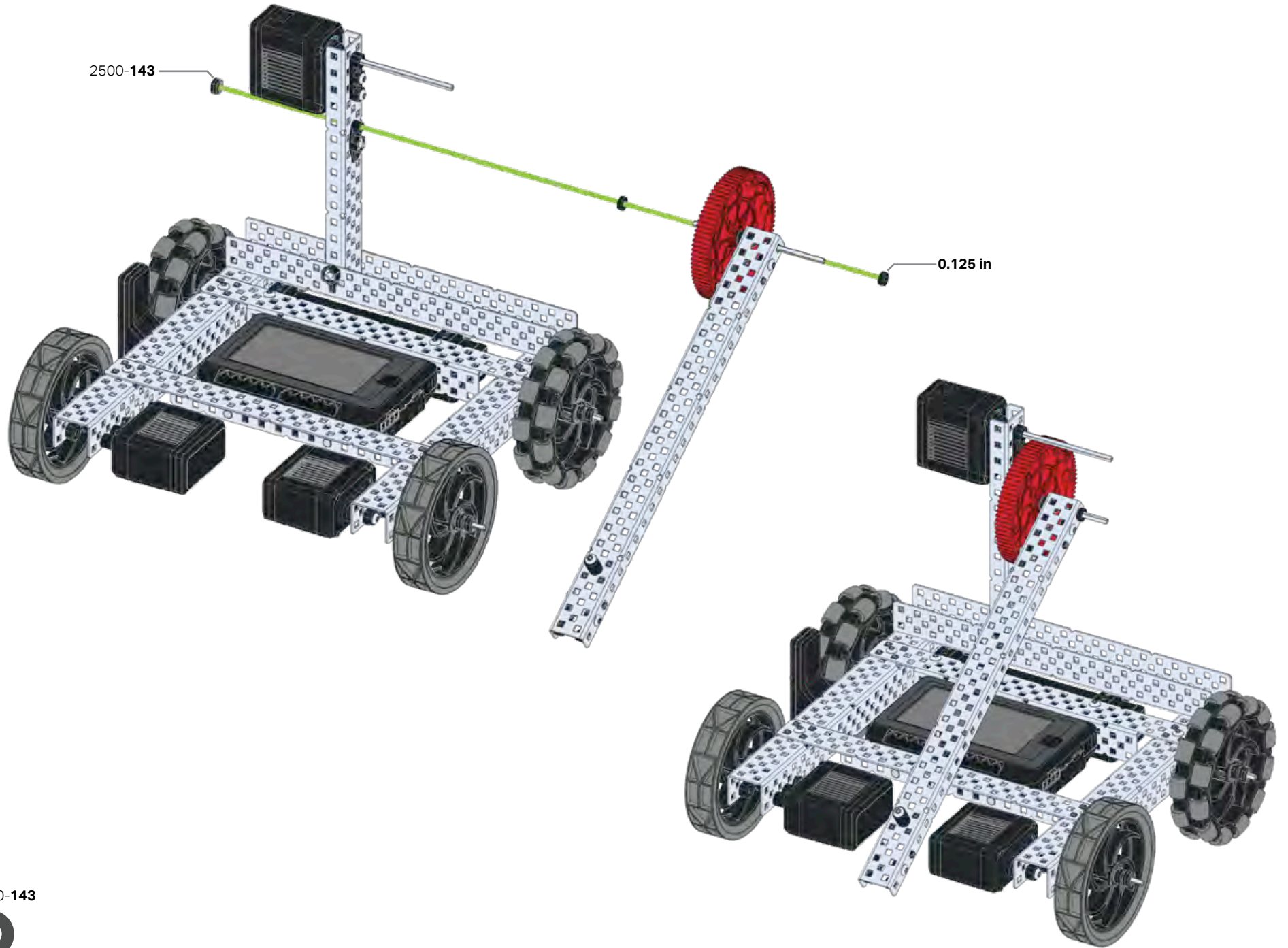
2x 2250-005



1x 1 in



1x 2500-123



2500-143

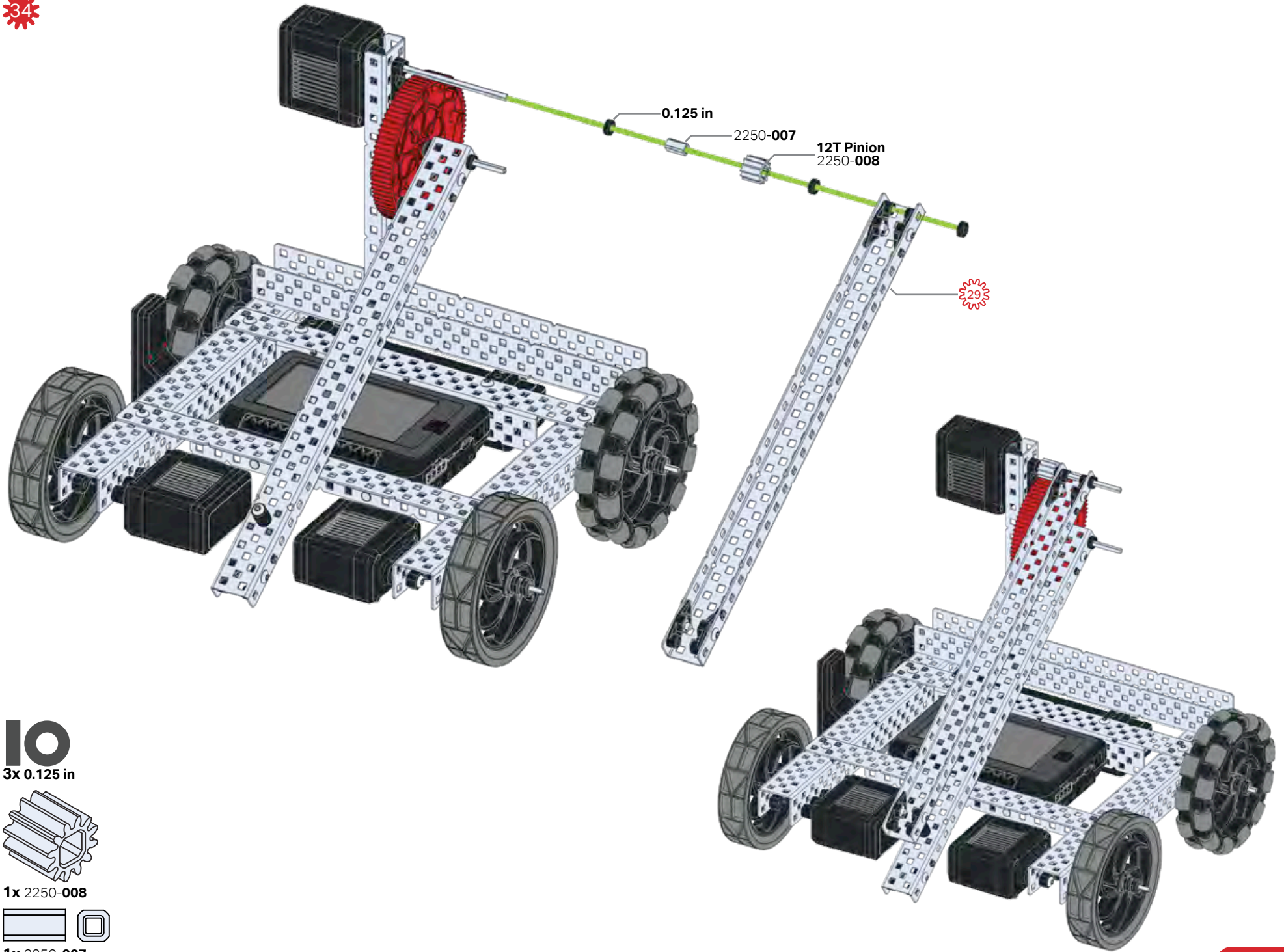
0.125 in



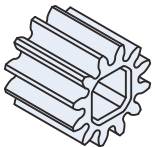
1x 2500-143

10

2x 0.125 in



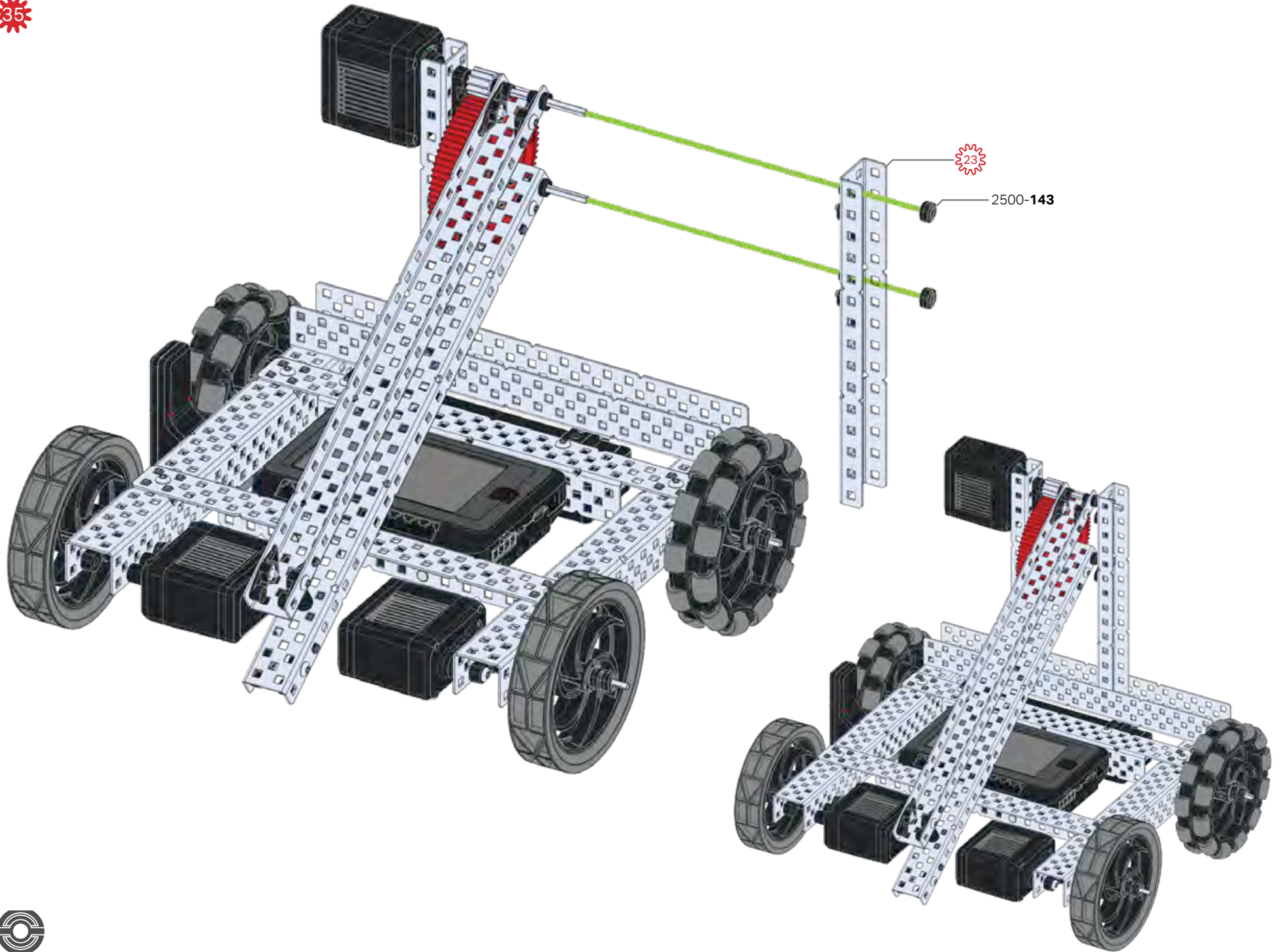
**10**  
3x 0.125 in

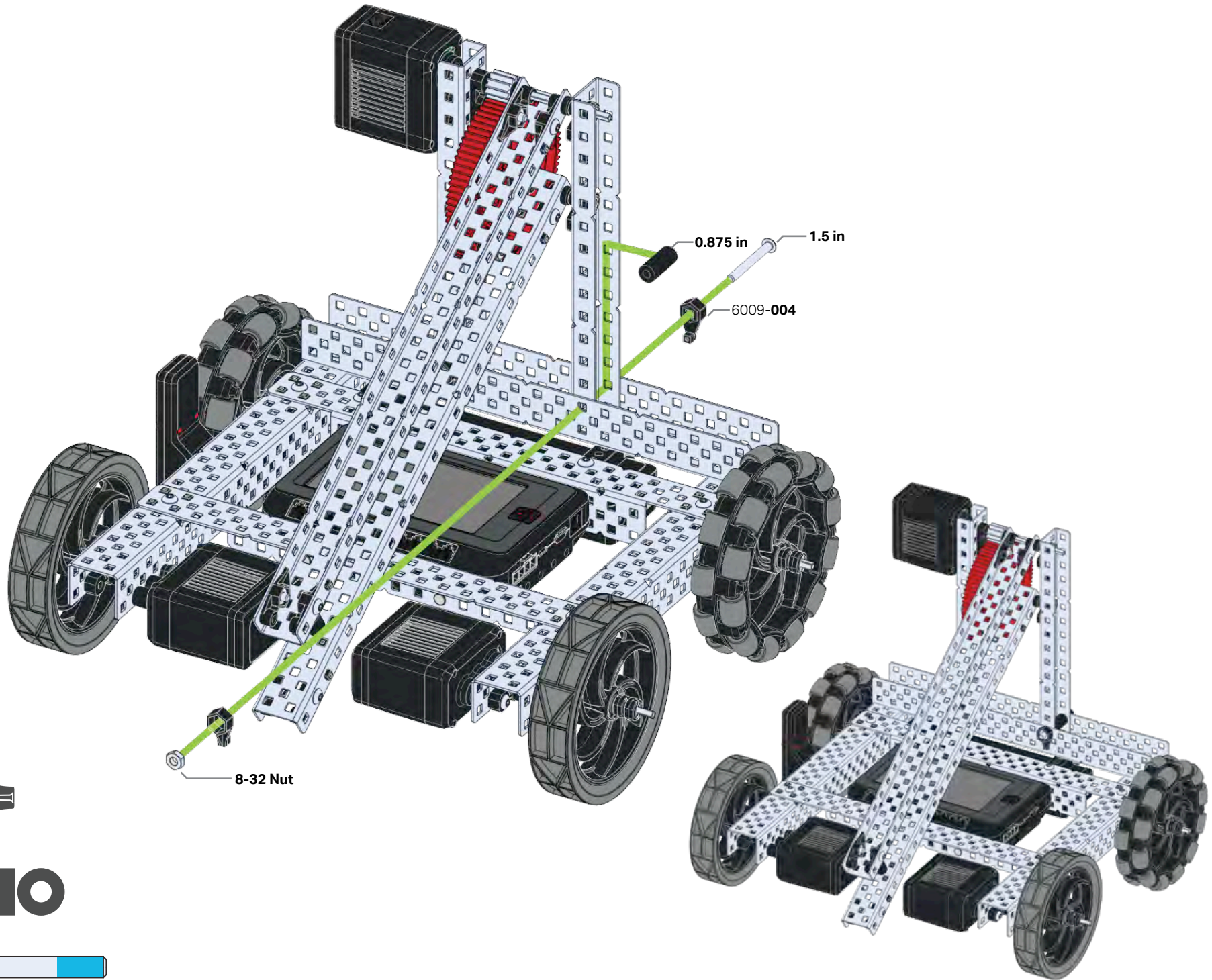




1x 2250-008





1x 2250-007

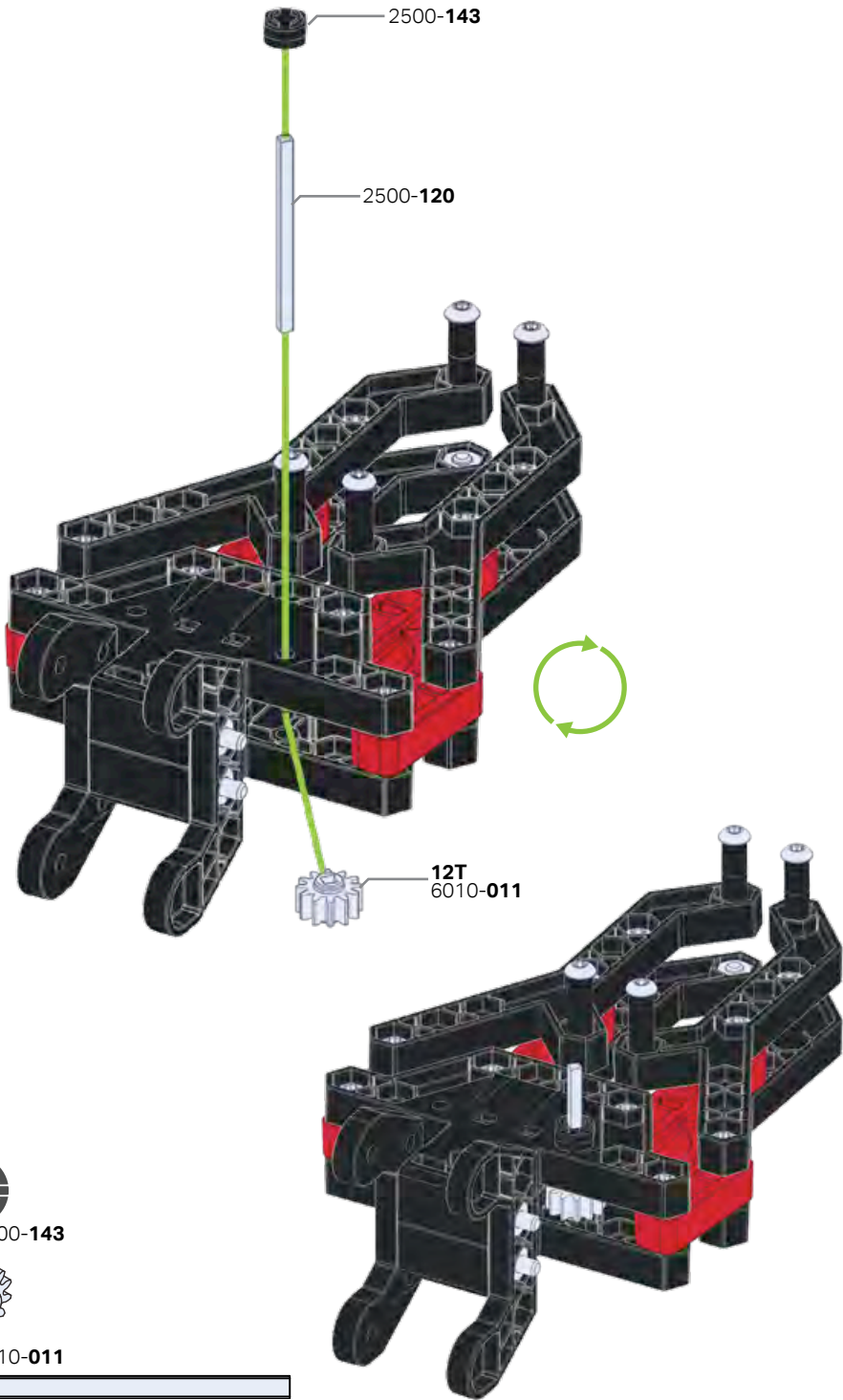




-  1x 8-32 Nut
-  2x 6009-004

-  1x 0.875 in
-  1x 1.5 in

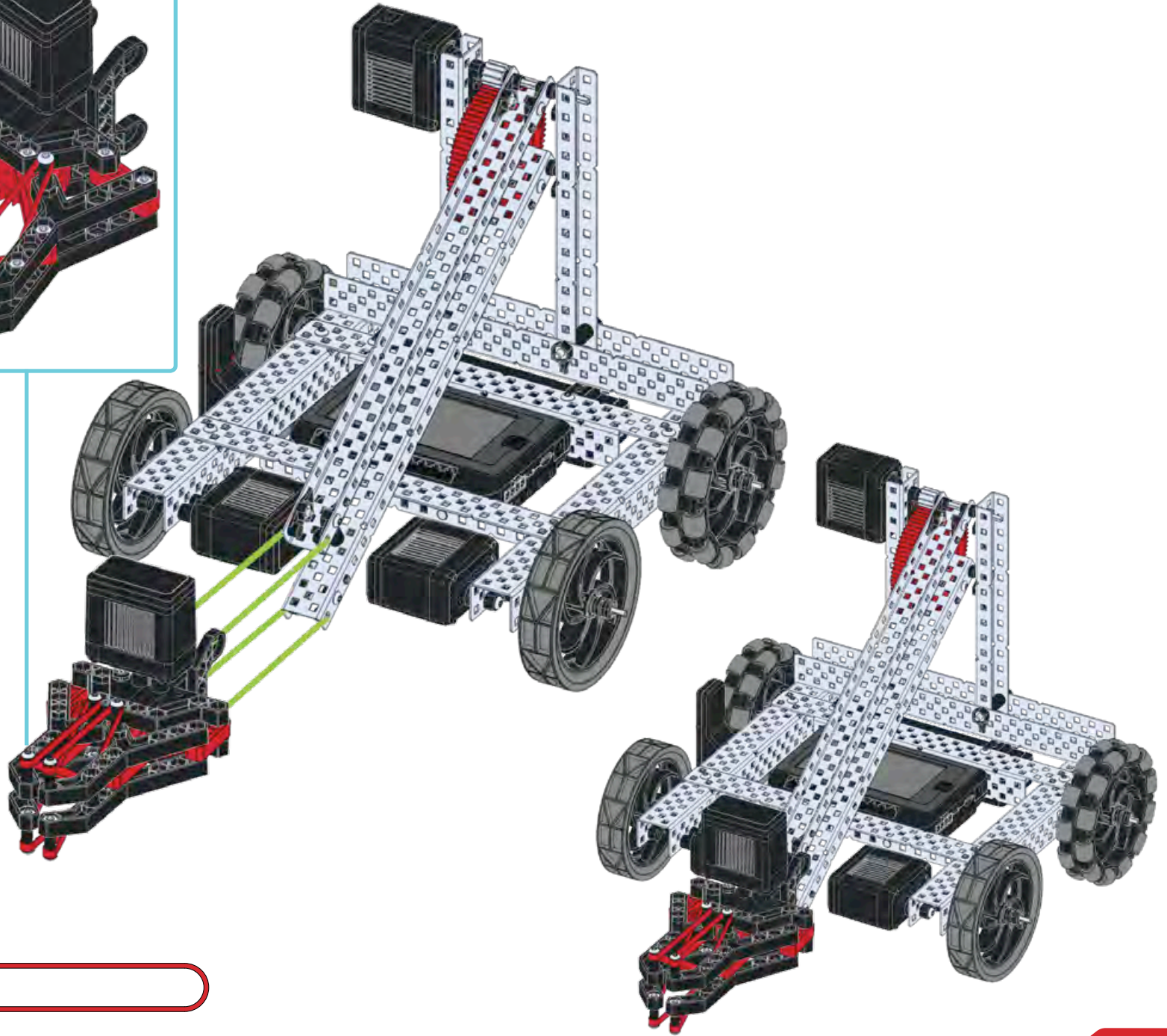
37



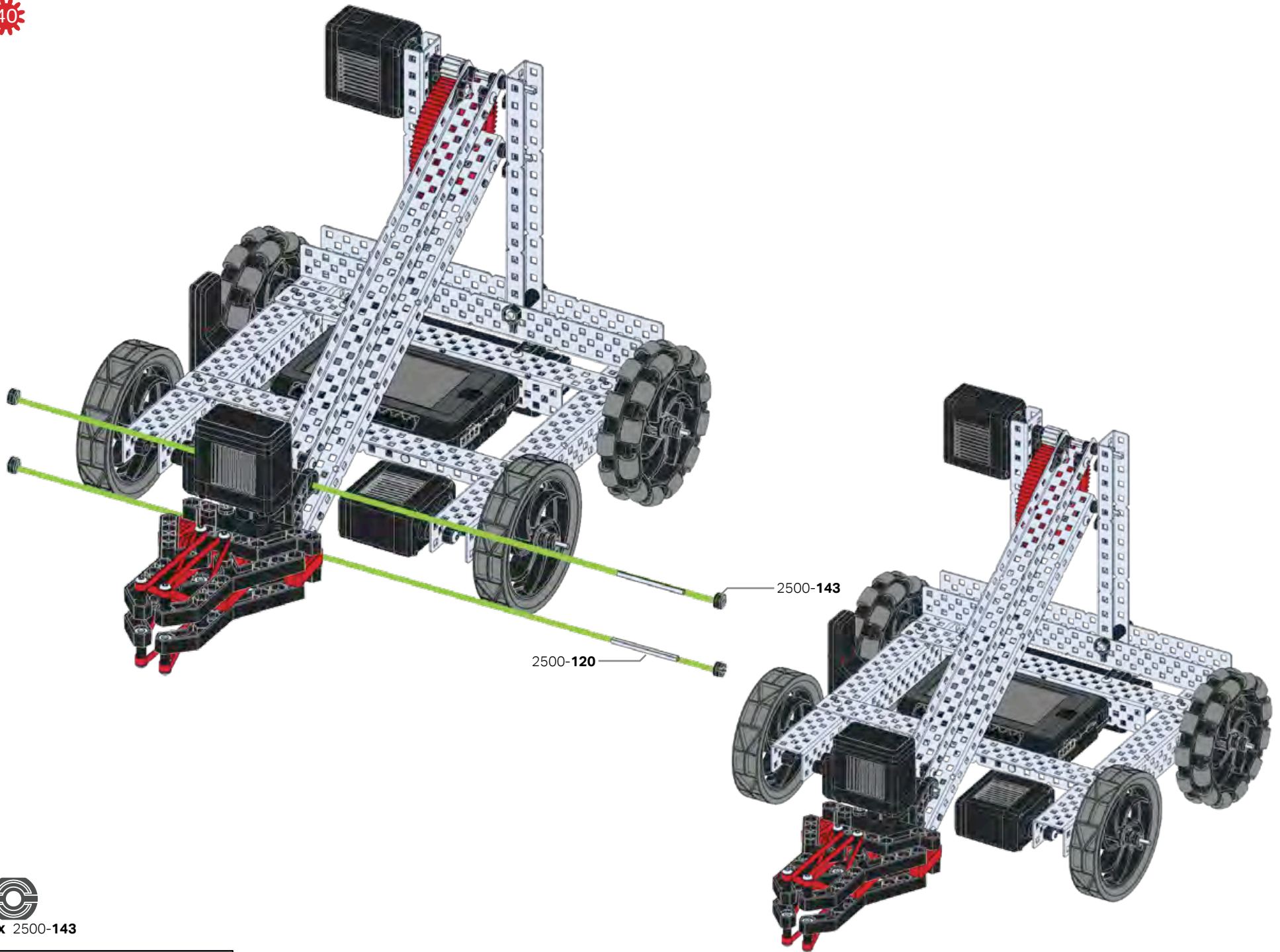
38





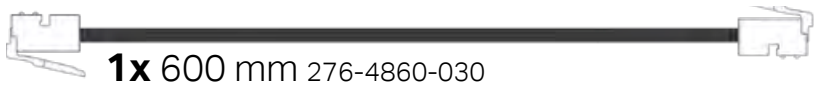
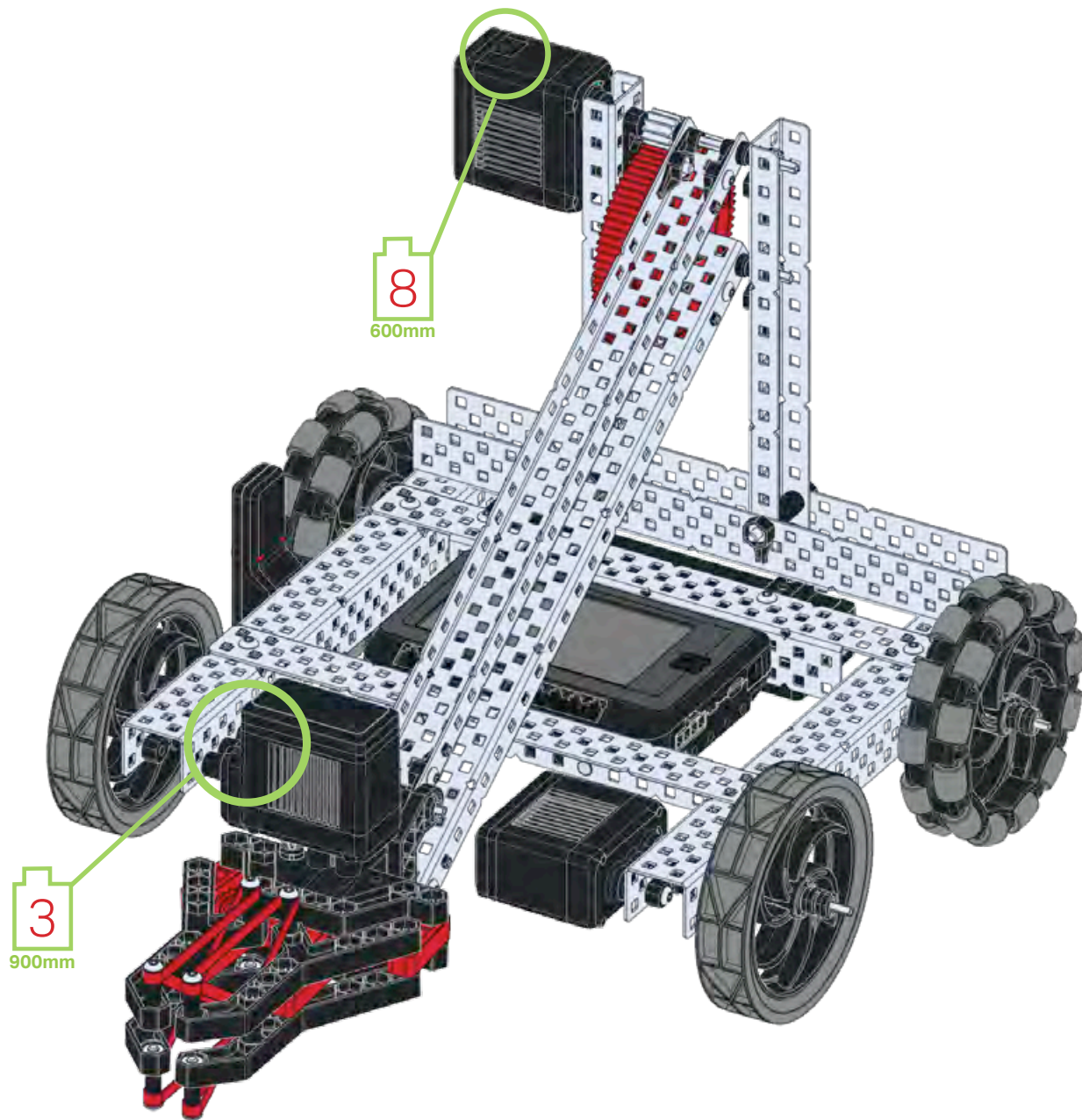


2x 4133-474



4x 2500-143

2x 2500-120



# ClawbotBuild Instructions

276-6009-750 Rev1



Custom manufactured in China for Innovation First Trading SARL. Distributed in the U.S.A. by VEX Robotics, Inc., 6725 W. FM 1570, Greenville, TX 75402, U.S.A. Distributed in Europe by Innovation First Trading SARL, 21b rue Gabriel Lippmann, L-5365 Munsbach, Luxembourg +352 27 86 04 87. Distributed in Canada by / Distribué au Canada par / Innovation First Trading, Inc., 6725 W. FM 1570, Greenville, TX 75402, U.S.A. ©2018 VEX Robotics, Inc. All rights reserved. Tous droits réservés.